

# NEW PRODUCT

October 20, 2009

**MARKET:** Consumer goods, small appliances, novelty items.

**GROWTH MARKETS:** Hunting/camping products, short-term food storage, pet feeding devices, small electronics.

**FUNCTION:** The TH3KAD is a Repeat Cycle timer with separate On/Off cycle times. Used to cause an event at specific intervals within a given time period. Removal of the input voltage resets the timer, and the event(s) start over.

**PURPOSE:** For battery- or other 6VDC-powered devices requiring dissimilar On/Off cycle times to control a repeating event. Sturdy construction and reliable solid state output provide impressive, extensive service life.

**CONTACT:** 315-655-8476  
[www.airotronics.com](http://www.airotronics.com)

**PELCO**  
COMPONENT TECHNOLOGIES  
*Putting Power to Work*

2747 Rte 20E Cazenovia, NY 13035  
[www.pelcocaz.com](http://www.pelcocaz.com)

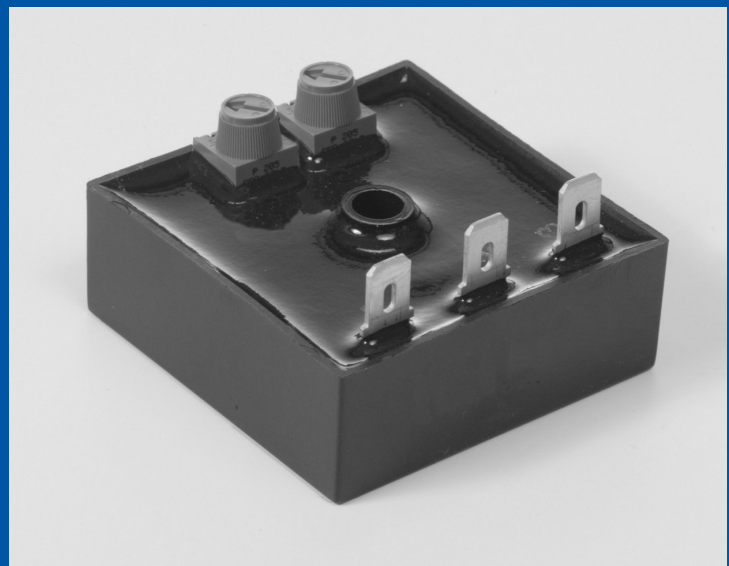
**AIROTRONICS**  
*Timers and Controls* **ACT**

A division of Pelco Component Technologies

**CATEGORY:** Solid State Timer

**APPLICATION:** Repeat Cycle Timer with Separate Time Periods

**SERIES:** TH3KAD / 6VDC



**FEATURES:**

Input voltage range 4–7VDC

Digital timing, solid state output

Load handling: 1 amp continuous current,  
10 amps single-cycle surge

Factory-fixed or variable timing adjustment

Virtually unlimited time ranges

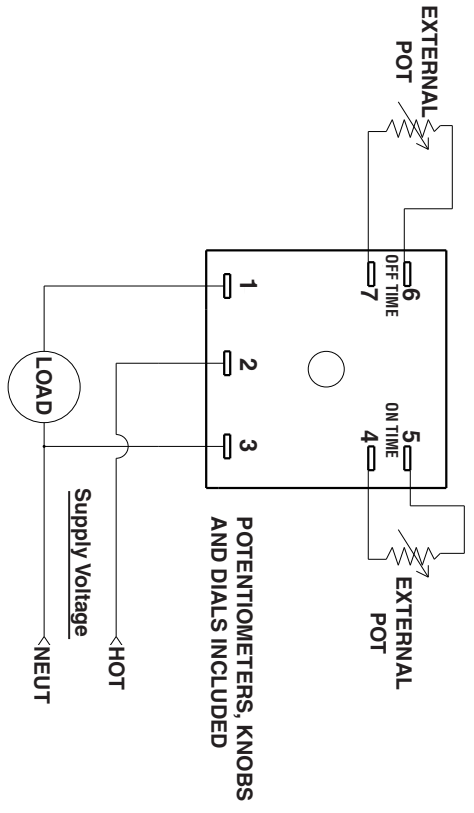
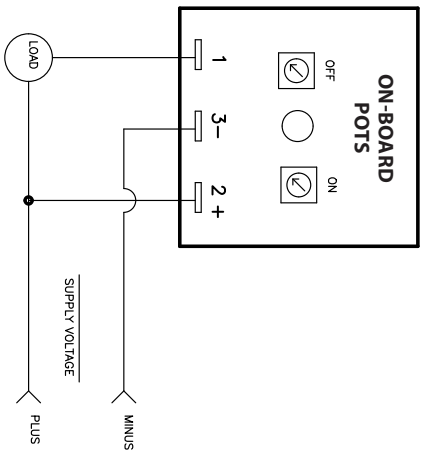
Reset/recycle time 200 milliseconds

Totally encapsulated for protection from harsh environments

No predictable failure if used within operating parameters

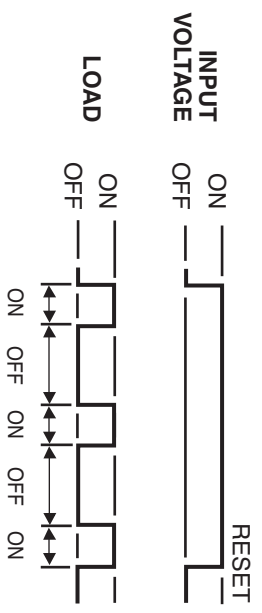
Compact 2" square case; easy to install  
with standard .25" QC blades

UL, CUL, RoHS



**TIMING MODE**

Application of input voltage to the timer starts the "On" time delay. At the end of the "On" time delay, the "Off" time delay starts. At the end of the "Off" time delay, the load is again energized, the timer returns to the "On" time delay, and the cycling continues as long as input voltage is applied. Removal of the input voltage resets the timer.



Four time adjustment methods available: Internal, on-board, or external settings by resistor or remote potentiometer. Standard time ranges from .1 second to 1000 seconds. Any time range up to 24 hours available on special order. Input voltage: 4-7VDC Output current: 1 amp



SERIES: TH3KAD 6VDC  
 CATEGORY: Solid State Timer  
 APPLICATION: Repeat Cycle Timer with Separate Time Periods  
 OCTOBER 20, 2009

315-655-8476 [www.airotronics.com](http://www.airotronics.com)