

Timing Mode: **REPEAT CYCLE, ON/OFF or OFF/ON**

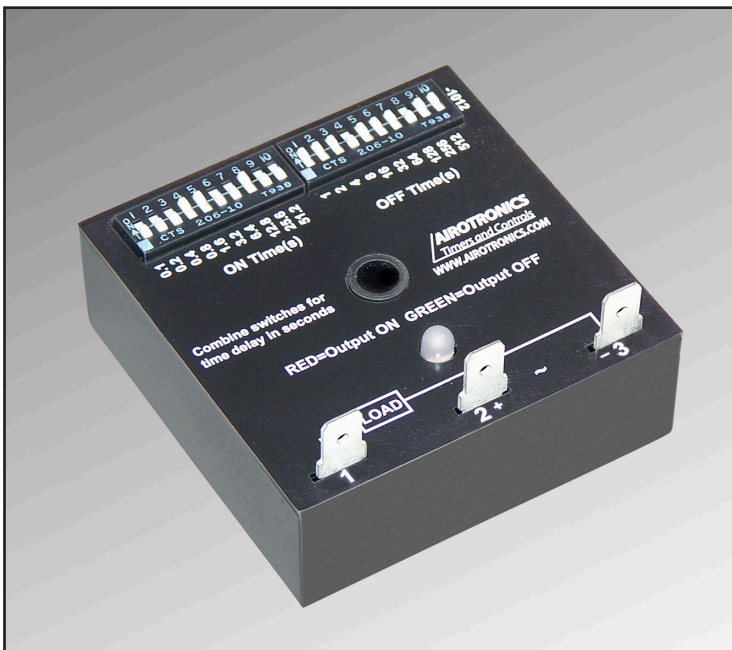
Category: **SOLID STATE TIMER**

Series: **MC337 MICROPROCESSOR**

CUBE SOLID STATE, DUAL DIPSWITCHES



PELCO COMPONENT TECHNOLOGIES • 855 227 3526



MC Dual Adjust Recycle

MC337 series is a microprocessor-based recycle timer with solid state output, independent ON time / OFF time dipswitch adjustments and LED indicator.

Provides timed sequencing of functions such as liquid dispensing, moisture purging, stirring, controlled lighting, feed distribution, water and air circulation, and many more.

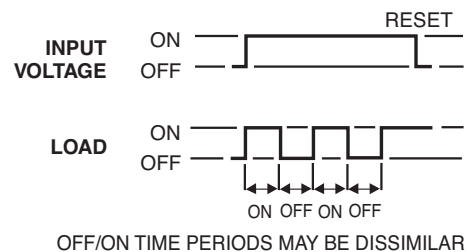
Timing Mode

On/Off Delay shown, Off/OnDelay available

When power is applied, the timer selected by the "c" option (ON first or OFF first) is started and controls the load switch. When the first time delay expires, the second time delay begins. The load on/off cycling continues until power is removed.


Red LED indicates output switch is on; green LED indicates output switch is off.

"On" and "Off" time periods may be dissimilar.

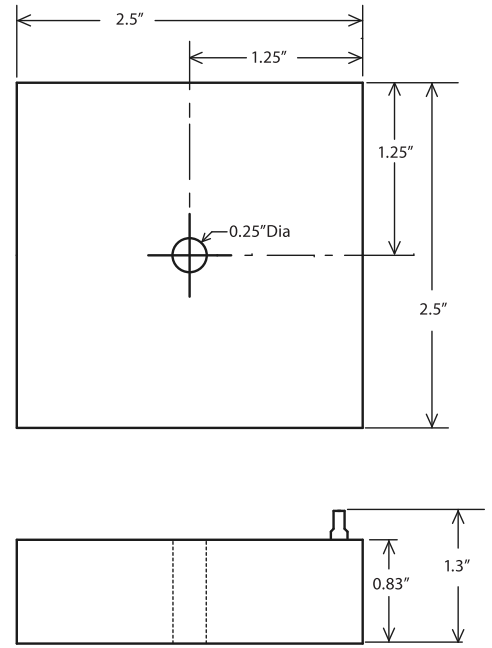
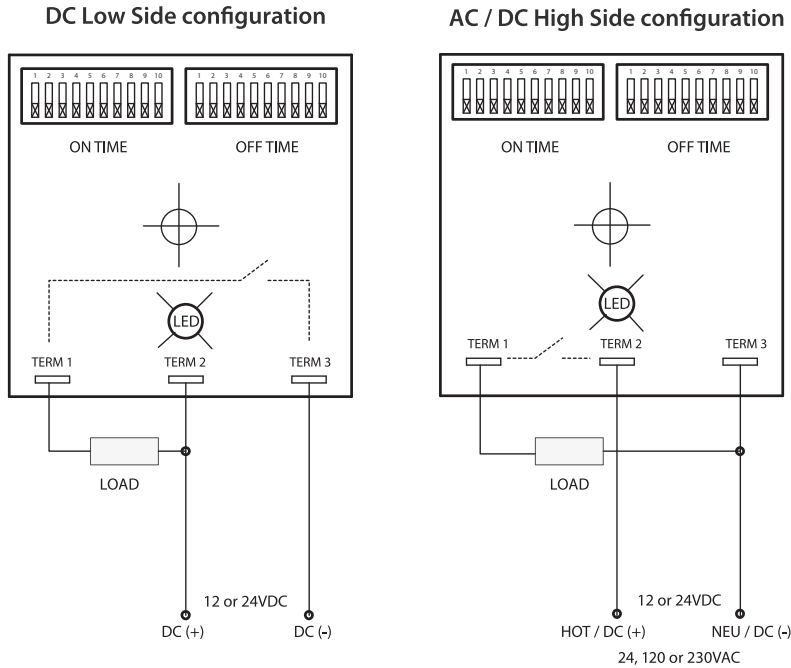


OFF/ON TIME PERIODS MAY BE DISSIMILAR

FEATURES

- Microprocessor-based accurate timing
- Binary dipswitch adjustable
- Wide selection of time ranges for both on and off times
- Wide selection of AC and DC input voltages
- Totally encapsulated for protection from harsh environments
- 100% Operational testing before shipping
- 
- RoHS compliant

BASIC WIRING AND DIMENSIONS



SPECIFICATIONS

Input Voltage tolerance: $\pm 10\%$

Output current: 1A AC/DC, max.

Switch voltage drop: 1VAC/VDC at 1A, max.

Time delay: adjustable from 0.1second to 1023 minutes in 5 ranges, each range with a 1-to-1023 ratio

Repeatability: 0.1% or 20mS whichever is greater, typ.

Time delay accuracy: 0.5% of full scale, typ.

Recycle time: 250mS, typ.

Temperature Ranges: Storage: -40°C to $+85^{\circ}\text{C}$
Operating: -25°C to $+60^{\circ}\text{C}$

Mechanical: 2.5" x 2.5" case, surface mount with one #8 or #10 screw, 0.25" QC terminals for input and output

Protection: Encapsulated circuitry, EFT protection

102617

OPTIONS SELECTION

MC	x	00337	S	c	o	f	s
Input Voltage			Output	Cycle Option	On Time Delay	Off Time Delay	Output Switch
AC/DC High Side			S 1 amp Solid state	1 On Time First 2 Off Time First	1 0.1 to 102.3 sec 2 1 to 1023 sec 3 10 to 10230 sec 4 0.1 to 102.3 min 5 1 to 1023 min	1 0.1 to 102.3 sec 2 1 to 1023 sec 3 10 to 10230 sec 4 0.1 to 102.3 min 5 1 to 1023 min	H High side L Low side (DC only)
1 120VAC 2 230VAC 3 24VAC 4 24VDC 7 12VDC							
DC Low Side			EXAMPLES of MC337 build numbers				
4 24VDC 7 12VDC			MC700337S122L Input/output 12VDC, Solid state output, On time first, On time range 1 to 1023 sec, Off time range 1 to 1023 sec, Low side switch				
			MC100337S112H Input/output 120VAC, Solid state output, On time first, On time range 0.1 to 102.3sec, Off time range 1 to 1023sec, High side switch				

Additional time delays and input voltage / output current options available upon request