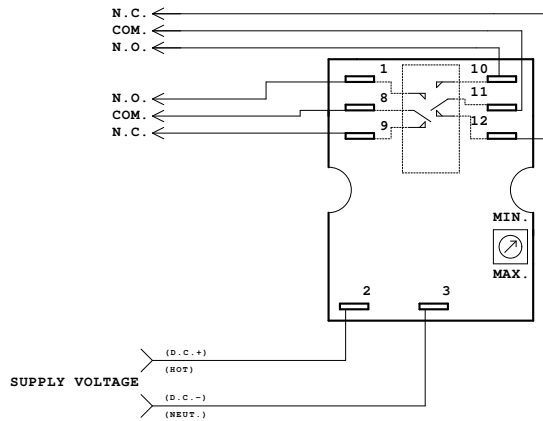
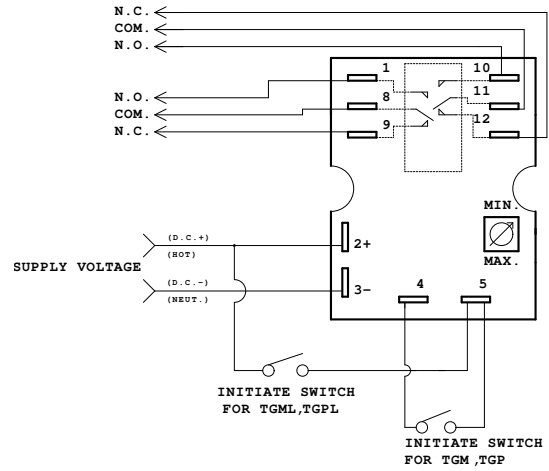


DPDT



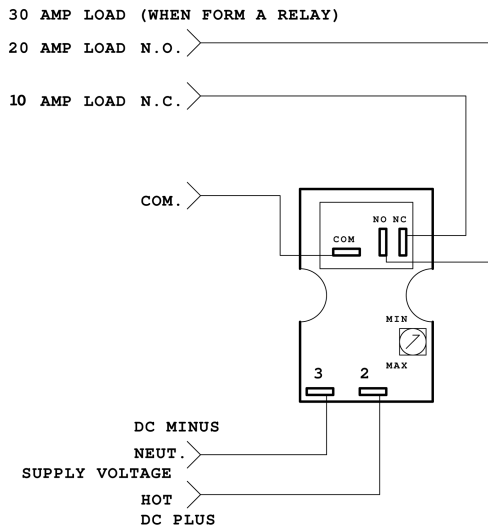
For the following series:
TGC, TGL, TGK, TGKA, TGKAD

DPDT



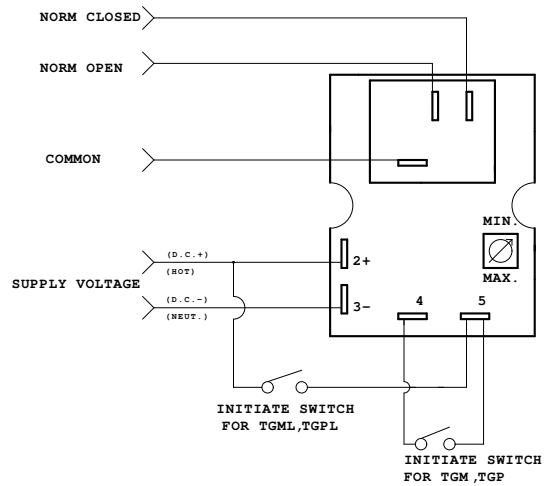
For the following series:
TGM, TGP, TGML, TGPL

30 AMP



For the following series:
TGC, TGL, TGK, TGKA, TGKAD

30 AMP



For the following series:
TGM, TGP, TGML, TGPL