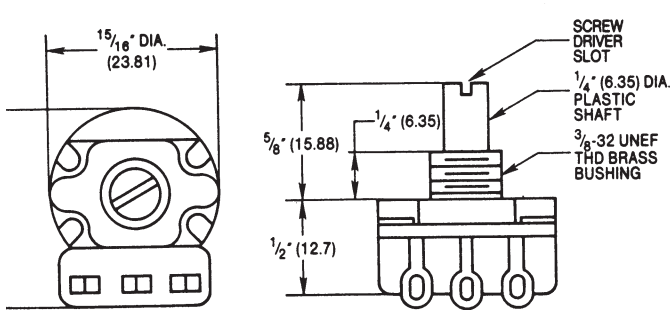
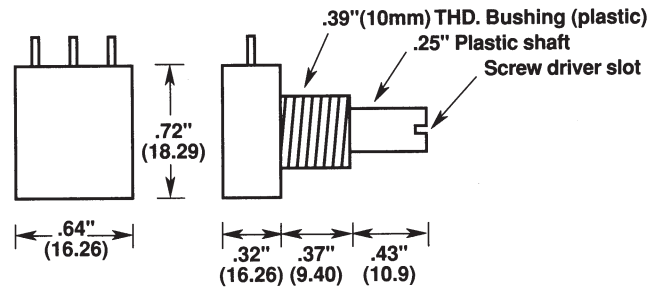


POTENTIOMETERS



PT-1 (Metal Bushing)

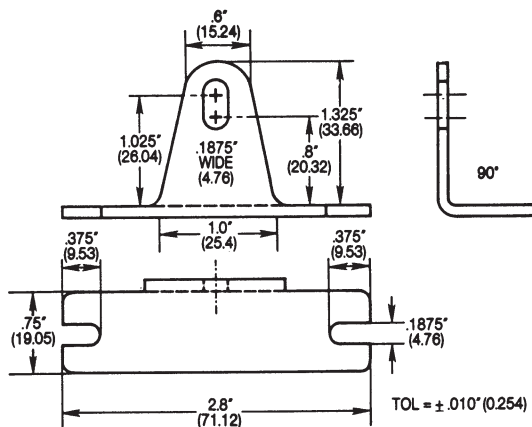
The above are 2 Meg potentiometers. The PT-1 is more rugged, and the PT-2 has the most accurate electronic characteristics.



PT-2 (Plastic Bushing)

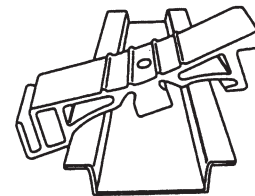
Each is supplied with a self-adhesive dial and KB-1 knob. Other styles of potentiometers may be available. Please consult with the factory.

MOUNTING BRACKETS



MB-1

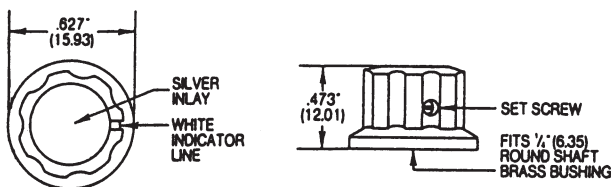
This nickel-plated steel bracket is for vertical mounting of TG, TB or TB series cube timers. Hardware included for mounting timer to bracket.



DB-1

The DB-1 DIN rail adapter is made of acetal resin material. It is easily installed and needs no drilling or tapping.

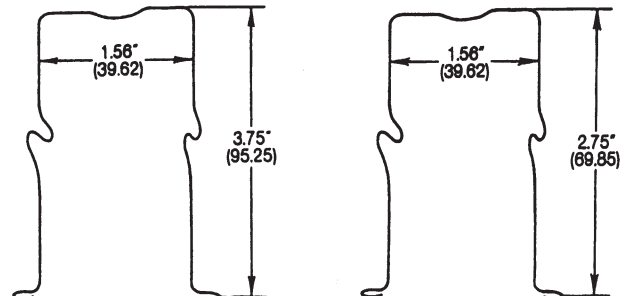
KNOB



KB-1

Knurled black plastic knob

TIE-DOWN



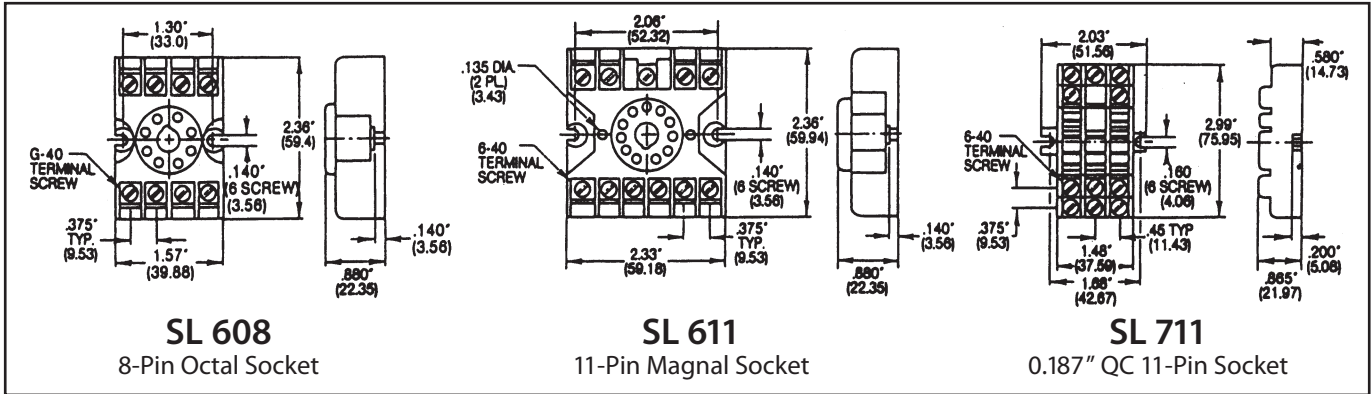
TB-3

For all 3.75" high cases

TB-2

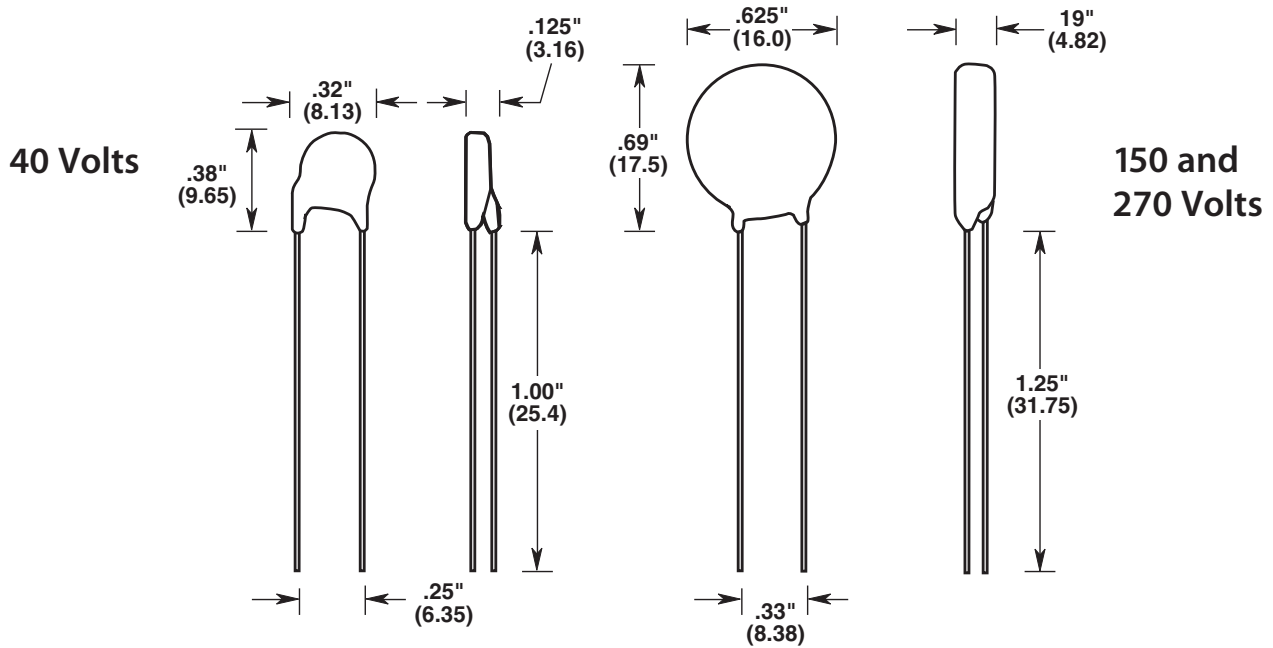
For all 2.75" high cases

SOCKETS



- DIN rail or panel mountable
 - Electrical rating: 300 volts, 10 amps
- Molding: break-resistant thermoplastic
 - UL recognized, CSA certified

TRANSIENT SUPPRESSORS



PART NUMBER	MAXIMUM RATINGS (85°C)				CHARACTERISTICS (25°C)					
	Continuous		Transient		Varistor Voltage @ 1mA DC Test Current			Max. Clamping Voltage Vc at Test Current (8x20 us.)		Typical Capacitance
	RMS Voltage	DC Voltage	Energy (10x1000 us.)	Peak Current (8x20 us.)						
	V _m (AC)	V _m (DC)	W _{tm}	I _{tm}	Min.	V _n (AC)	Max.	V _c	I _p	f=1 Mhz.
Volts	Volts	Joules	Amperes	Volts	Volts	Volts	Volts	Amps	Picofarads	
119-0001-0003	40	56	3.2	250	61	68	75	135	2.5	620
119-0001-0002	150	200	45	4500	216	240	264	395	50	500
119-0001-0005	270	350	75	4500	389	430	475	710	50	295