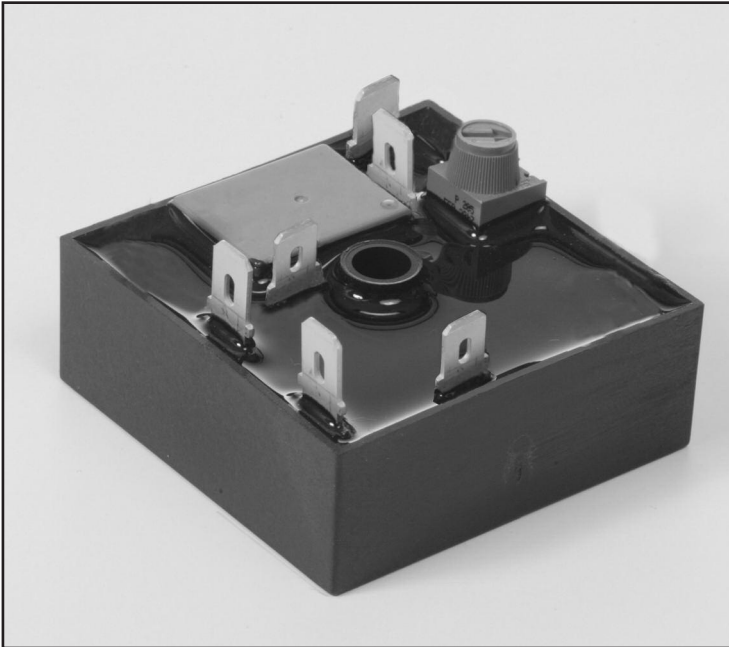


Timing Mode: **RETRIGGERABLE INTERVAL**  
Category: **TIMER WITH RELAY**  
Series: **TGLR**

## MISSING PULSE DETECTOR / WATCHDOG



### TGLR Timers

TGLR series Cube Relay Interval timers are a unique combination of digital CMOS timing circuitry with a relay output in a compact 2" x 2" configuration.

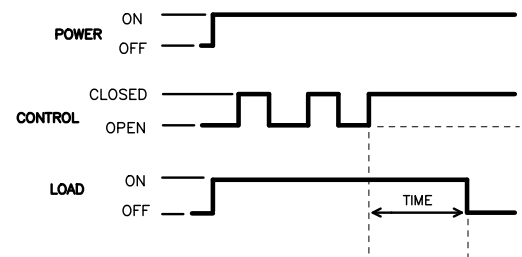
These units provide the same functional performance as plug-in relay timers, but at significant cost savings.

### Timing Mode



When power is applied, the relay transfers.

If control switch closures occur more frequently than set time, nothing happens.

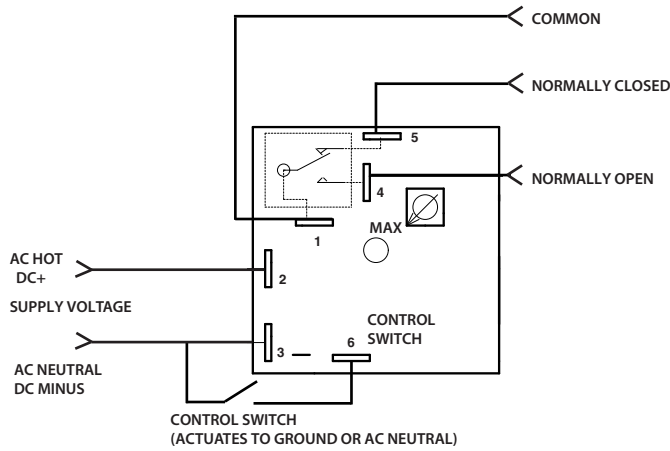
If control stays closed or open longer than set time, the relay opens.



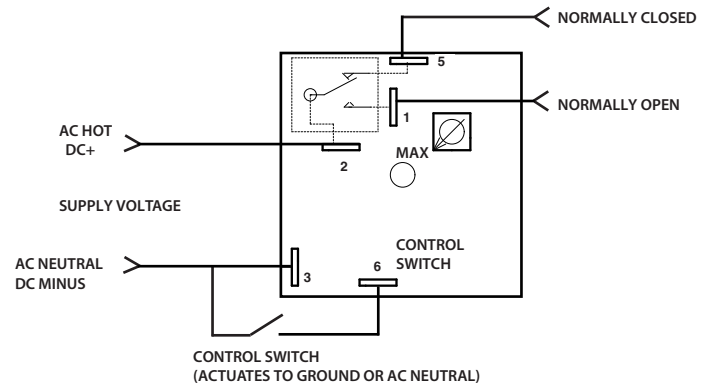
## FEATURES

- High current-carrying capacity up to 10 amps
- Transient protected
- 100% Load isolation
- No leakage in N.O. position
- No heat sinking required
- Available in any time delay period required
- Digital CMOS timing
- No minimum load required
- Totally encapsulated for protection from harsh environments
- 100% Operational testing before shipping
-  
- RoHS compliance available

## BASIC WIRING AND DIMENSIONS



**TGLR**



**TGLRB**

## SPECIFICATIONS

**Input Voltage:**

VDC: 12, 24 or 48  
 VAC: 24, 48, 120 or 230, 50/60Hz  
*Special voltages available*

**Time Delay:**

*Timing Mode:* Retriggerable Interval  
*Type:* Cube Relay  
*Time Range:* 0.2 second to 24 hours  
*Time Adjustments:* Fixed / Pot Adjust

**Repeatability:** ±0.5%

**Setting Accuracy:** Fixed time period: ±10% of nominal time.

*Variable time range:*  
 +15% -5% max. time, -10% min. time

**Reset/Recycle Time:** 25 milliseconds

**Initiate Time:** 6 milliseconds or less

**Relay Life Expectancy:**

*Mechanical:* 20 million operations  
*Electrical:* 100,000 operations

**Protection:**

*Polarity Protection:* All DC units have reverse polarity protection  
*Transient Protection:* 18 joules  
*Dielectric Strength:* 1800V RMS 60Hz

**Temperature Ranges:**

*Storage:* -40°C to +85°C  
*Operating:* -25°C to +65°C

**Physical Data:**

*Mounting:* Surface with one #8 screw  
*Connection & Termination:* 0.25" quick connects

## OPTIONS SELECTION

Mode of Operation	Series	Input Voltage	Examples of Time Ranges	Time Adjustment Method	Relay Output Form	Options		
<b>Retriggerable Interval (Watchdog)</b>	<b>TGLR TGLRB</b>	1	120 VAC	<b>VARIABLE TIME PERIODS</b> 0001 0.5 to 1 sec. 0010 .1 to 10 sec. 0100 1 to 100 sec. 1000 10 to 1000 sec. Any range up to 24 hours available. <b>FIXED TIME PERIODS</b> Specify time in full seconds or hours followed by the letter "S" or "H" and the decimal amount of the main time unit. Examples: 5S5 is 5.5 secs 5H5 is 5.5 hours	<b>A</b> Screwdriver Adj., Variable, integral. <b>C</b> Fixed, internal, factory set.	1	SPDT	<b>H</b> 10 Amps
		2	230 VAC			2	SPST (N.O.)	
		3	24 VAC			3	SPST (N.C.)	
		4	24-28 VDC					
		5	48 VAC					
		6	48 VDC					
		7	12 VDC					
		8	Any in between AC voltage (specify)					
		9	Any in between DC voltage (specify)					

*Specifications subject to change without notice.*