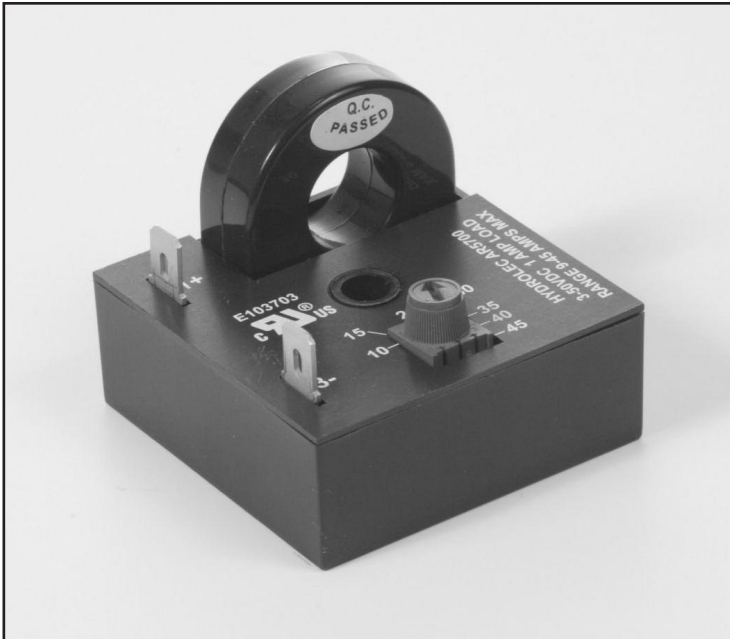


Timing Mode: **DELAY AFTER SENSE**

Category: **CURRENT SENSOR**

Series: **HCS**

CURRENT SENSOR with SOLID STATE OUTPUT, 1 AMP



HCS Current Sensor

The HCS is a high-range current sensor with sense capabilities from 3 amps* to 60 amps AC. The set point is either factory fixed or adjustable.

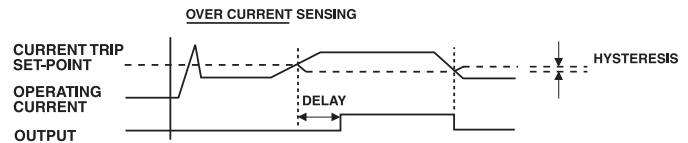
HCS is completely self-powered with solid state DC switching to interface with a Programmable Logic Control (PLC) or control relays.

**Lower range may be achieved by additional passes of the monitored conductor through the sensor*


Sense Mode

When the sensed current reaches the setpoint the output turns on.

When the current goes below setpoint the output turns off.

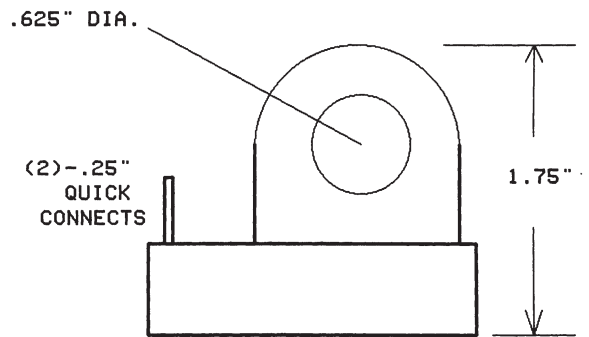
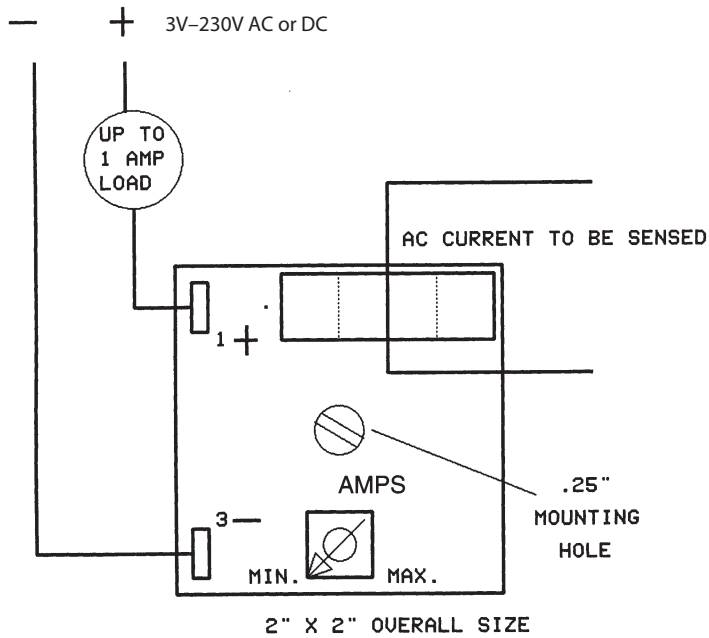


FEATURES

- Toroidal sensing provides total isolation between sensed current and output circuit
- Setpoint adjusted by on board potentiometer or factory-fixed, up to 60 amps
- Self powered, no external supply voltage needed
- Compact 2" x 2" package with single screw mounting
- Totally encapsulated for protection from harsh environments
- Direct connection to PLC input
- 100% Operational testing before shipping
- Designed and manufactured in the U.S.A.
-  RoHS compliance available

032613

BASIC WIRING AND DIMENSIONS



SPECIFICATIONS

Input Voltage: 3–230V AC or DC

Hysteresis: $\pm 5\%$ of set point typical

Load: Up to 1 Amp, solid state switching

Adjustability: Linear min to max with trimpot option

Sensor: Toroid, Through hole wiring

Stability: $\pm 2\%$ over temperature

Current Range: 3 Amps minimum to 60 Amps maximum
Lower range may be achieved by additional passes of the monitored conductor through the sensor

Temperature Ranges: *Storage:* -40°C to $+85^{\circ}\text{C}$
Operating: -25°C to $+65^{\circ}\text{C}$

032613

OPTIONS SELECTION

Mode of Operation	Series	Input Voltage	Sensing Range	Adjustment
Current Sensor	HCS	3V-230V AC or DC 1 amp max	VARIABLE RANGES	C = Factory fixed A = Variable, integral, potentiometer
			015 3A to 15A 030 6A to 30A 045 9A to 45A 060 10A to 60A (others by request)	
			FIXED RANGES	
			Specify Actuate setting (example: 010 = 10amps)	

Specifications subject to change without notice.