

Timing Mode: **ANTI-SHORT-CYCLE**
Category: **SOLID STATE TIMER**
Series: **TH3AC**

CUBE SOLID STATE, 1 AMP



TH3AC Timers

The TH3AC are Anti-Short Cycle timers with solid state output for compressor protection.

An optional "Delay On Make" function is offered for sequencing or prevention of contactor chatter.

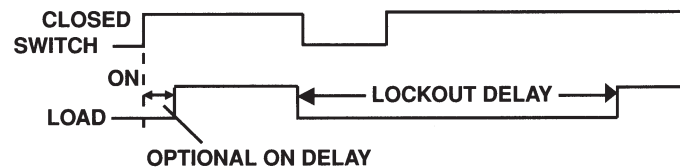
Simple 3 terminal connection and encapsulated 2" x 2" package.

Anti-short-cycle timers prevent premature cycling of compressors in refrigeration, air conditioning and heat pumps, thereby reducing nuisance tripping of fuse or circuit breaker.


Timing Mode

When power is applied (i.e. thermostat closes), the load energizes. Removal of power begins the "lockout" and the time delay begins (i.e. locking out the compressor). The load is energized after the time delay expires.

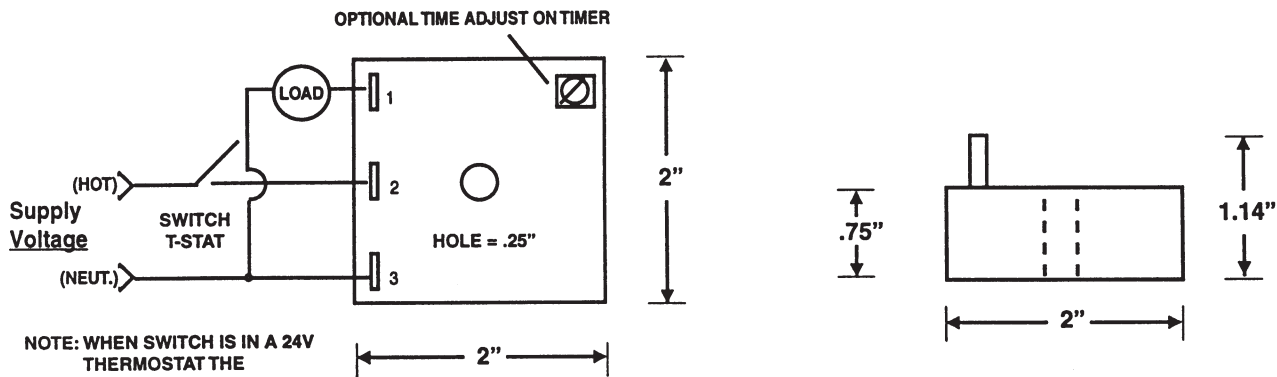
Delay On Make option delays the initial load output for up to 5 minutes.



FEATURES

- 1 Amp current load
- 10 Amps single AC cycle surge handling
- 3 Operating voltages 24/120/230 VAC
- Factory-fixed or potentiometer adjustable
- Totally encapsulated for protection from harsh environments
- Optional Delay On Make
- 24 VAC unit has anticipator resistor bypass
- Single screw mounting through center hole
- Industry-standard three-terminal (0.25") quick connects
- 100% Operational testing before shipping
-  RoHS compliance available

BASIC WIRING AND DIMENSIONS



NOTE: WHEN SWITCH IS IN A 24V THERMOSTAT THE ANTICIPATOR RESISTOR CAN BE AS LOW AS 2K OHMS.

OPERATION: WHEN SWITCH CLOSES, LOAD ENERGIZES. WHEN SWITCH OPENS, LOAD DE-ENERGIZES AND THE TIME DELAY BEGINS, EVEN IF SWITCH RECLOSES DURING TIMING LOAD STAYS OFF UNTIL DELAY EXPIRES.

SPECIFICATIONS

Input Voltage:

VAC: 24 (±20%) 50/60Hz
 VAC: 120/230, 50/60Hz

Anticipator Resistor:

(24VAC only) 200 Ohms minimum

Time Delay: Up to 10 minutes

Lockout Time: Factory-fixed or variable with knob on timer

Tolerance: +35% -15% of nominal time

Initiate Time: 16 milliseconds

Life Expectancy:

No predictable failure if used within operating parameters.

Protection:

Transient Protection: 18 joules
Dielectric Strength: 1800 RMS 60Hz

Temperature Ranges:

Storage: -40°C to +85°C
Operating: -25°C to +65°C
Humidity: 95% relative

Physical Data: Surface mount with single #8 or #10 screw

Connection & Termination: 0.25" Quick connects

OPTIONS SELECTION

Mode of Operation	Series	Input Voltage	Time Ranges	Time Adjustment Method	Options
Anti-Short-Cycle (Lockout)	TH3AC	1	120 VAC 50/60Hz	A Integral knob C Factory-fixed	SXXX On delay (up to 5 min.) XXX Time Period XXS Time in sec. Example: 30S = 30 second fixed time
		2	230 VAC 50/60Hz		
		3	24 VAC 50/60Hz		
			VARIABLE TIME PERIODS 060 - 1 min. 0120 - 2 min. 0180 - 3 min. 0240 - 4 min. 0300 - 5 min. 0600 - 10 min. XXX - fixed FIXED TIME PERIODS Any fixed time up to 10 minutes		

Specifications subject to change without notice.