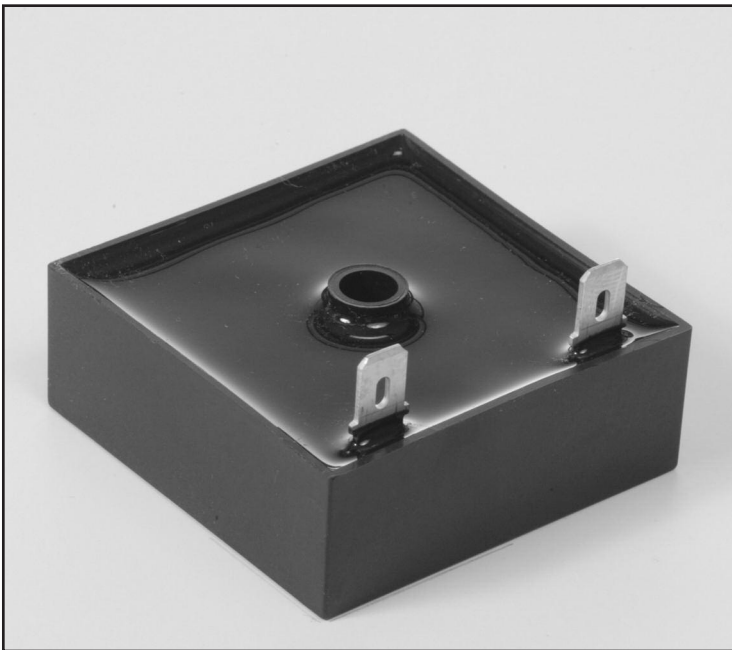


Timing Mode: **INTERVAL ON DELAY**
Category: **SOLID STATE TIMER**
Series: **THL**

CUBE SOLID STATE, 1 AMP



THL Timers

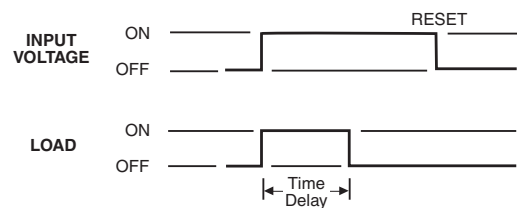
THL timers are solid state output units with digital timing. The THL comes in a 2" square case.

Ease of installation and hook-up is a primary design benefit. All models with integral time adjustment knob or factory-fixed time require only two connections. They may be wired in-line just like a single pole switch.


Units with external time adjustment have two additional terminals for the resistor or potentiometer.

Timing Mode

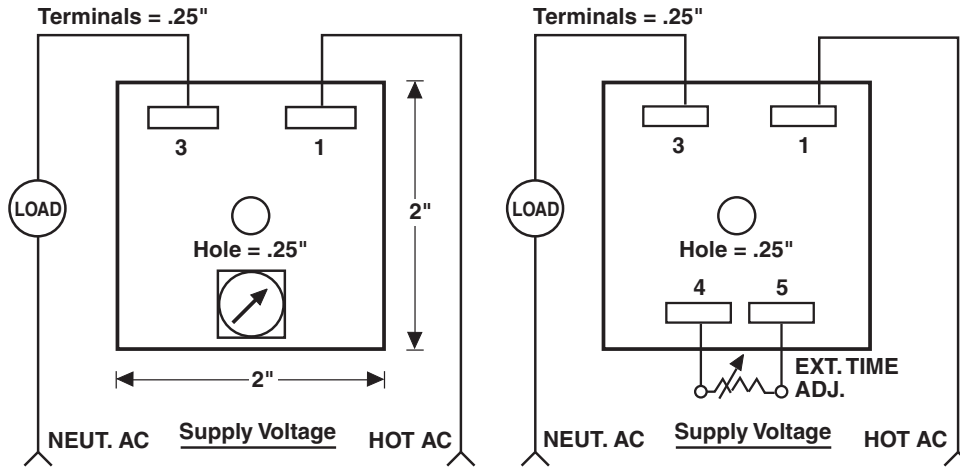
Application of input voltage to the timer energizes the load and starts the time delay. At the end of the time delay, the load is de-energized. Removal and re-application of input voltage resets the timer.



FEATURES

- Digital timing, solid state output
- 1 Amp current load handling
- 10 Amps single-cycle surge handling
- 4 Overlapping AC voltage ranges (from 19 to 277 volts)
- $\pm 0.1\%$ Repeat accuracy
- Virtually unlimited time ranges
- Factory-fixed or variable timing adjustment
- Totally encapsulated for protection from harsh environments
- O-ring sealed exposed controls
- Single screw mounting through center mounting hole
- Standard 6.35mm (0.25") quick connect blade terminals
- 100% Operational testing before shipping
- 
- RoHS compliance available

BASIC WIRING AND DIMENSIONS



SPECIFICATIONS

Repeat Accuracy: $\pm 0.1\%$ under fixed conditions
Timing Ranges: 0.1 sec. to 24 hours (1 sec., 10 sec., 100 sec., and 1000 secs. are standard.)
Special time ranges available upon request
Reset/Recycle Time: 100 milliseconds
Tolerances: Fixed: $\pm 10\%$ of nominal time
(optional: $\pm 5\%$, $\pm 1\%$)
 Variable: -0% , $+15\%$
 Limit: -10% at minimum time
Recycle Effect: None
Temperature Ranges:
Storage: -40°C to $+85^{\circ}\text{C}$
Operating: -25°C to $+65^{\circ}\text{C}$

Life Expectancy:
 No predictable failure if used within operating parameters
Protection:
Transient Protection: 18 joules
Dielectric Strength: 1800V RMS 60Hz
Power Requirement: 0.25 watts max.
Weight: 3 oz. (85g) maximum
Solid-State Output: SPST (N.C.)
Load Current: 1 amp continuous, 10 amps single-cycle surge
Time Cycle Interrupt: Resets timer to original state (Input Voltage Break)

OPTIONS SELECTION

Mode of Operation	Series	Input Voltage	Examples of Time Ranges	Time Adjustment Method
Interval On Delay	THL	1 40-140 VAC 50/60 Hz	VARIABLE TIME PERIODS 0001 0.1 to 1 sec. 0010 0.1 to 10 sec. 0100 1 to 100 sec. 1000 10 to 1000 sec. Any range up to 24 hours available on special order. FIXED TIME PERIODS Specify in seconds (S) or hours (H) Examples: 400S is 400 seconds 05H5 is 5.5 hours	A Variable integral, knob on timer B Variable external, remote potentiometer timer C Fixed, internal, factory set D External, remote resistor
		2 90-260 VAC 50/60 Hz		
		3 19-48 VAC 50/60 Hz		
		8 90-277 VAC 50/60 Hz		

EXAMPLE THL 3 0100 S C This is a THL series timer, Interval On Delay, 24 volt AC, 100 second fixed internal, factory-set time period.
Specifications subject to change without notice.