

Timing Mode: **INTERVAL ON DELAY**

Category: **SOLID STATE TIMER**

Series: **TBL**

## MINIATURE CUBE, SOLID STATE, DC VOLTAGE



### TBL Miniature Timers

TBL timers are solid state output units with digital timing and come in a 1 5/8" square case. They are available for 8-40 VDC.

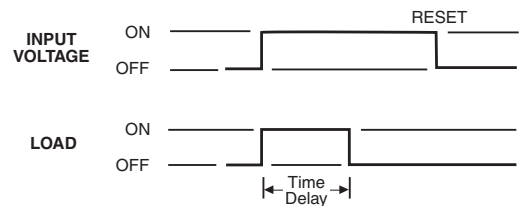
Ease of installation and hook-up is a primary design benefit. All models with integral time adjustment knob or factory-fixed time require only three connections.

### Timing Mode

Application of input voltage to the timer energizes the load and starts the time delay.

At the end of the time delay, the load is de-energized.

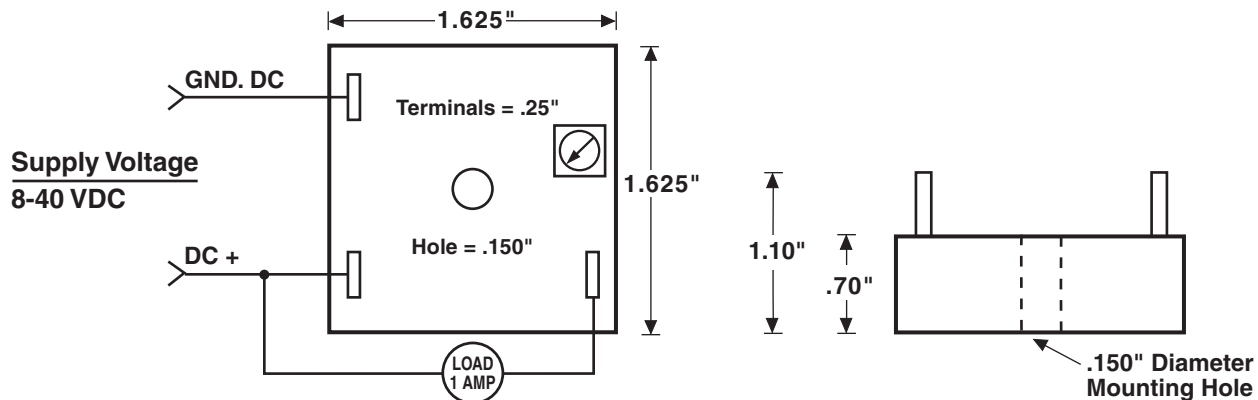
Removal and re-application of input voltage resets the timer.



## FEATURES

- Digital timing, solid state MOSFET output
- 1 Amp current load handling
- 10 Amps 100 ms (millisecond) surge handling
- Wide DC voltage range
- ±0.1% Repeat accuracy
- Virtually unlimited time ranges
- Factory-fixed or variable timing adjustment
- Totally encapsulated for protection from harsh environments
- O-ring sealed exposed controls
- Single #6 screw mounting through center mounting hole
- Standard 6.35mm (0.25") quick connect blade terminals
- 100% Operational testing before shipping
- RoHS compliance available

## BASIC WIRING AND DIMENSIONS



## SPECIFICATIONS

**Repeat Accuracy:**  $\pm 0.1\%$  under fixed conditions

**Timing Ranges:** 0.1 sec. to 24 hours (1 sec., 10 sec., 100 sec., and 1000 secs. are standard.)  
*Special time ranges available upon request*

**Reset/Recycle Time:** 100 milliseconds

**Tolerances:** *Fixed:*  $\pm 10\%$  of nominal time  
*(optional:  $-\pm 5\%$ ,  $\pm 1\%$ )*  
*Variable:*  $-0\%$ ,  $+15\%$   
*Limit:*  $-10\%$  at minimum time

**Recycle Effect:** None

**Temperature Ranges:**  
*Storage:*  $-40^{\circ}\text{C}$  to  $+85^{\circ}\text{C}$   
*Operating:*  $-25^{\circ}\text{C}$  to  $+65^{\circ}\text{C}$

**Life Expectancy:**  
 No predictable failure if used with operating parameters

**Protection:**  
*Polarity Protection:* All DC units have reverse polarity protection  
*Transient Protection:* 18 joules  
*Dielectric Strength:* 1800V RMS 60Hz

**Power Requirement:** 0.25 watts max.

**Weight:** 3 oz. (85g) maximum

**Solid State Output:** SPST (N.C.)

**Load Current:** 1 amp continuous, 10 amps 100 ms surge

**Time Cycle Interrupt:** Resets timer to original state (Input Voltage Break)

## OPTIONS SELECTION

Mode of Operation	Series	Input Voltage	Examples of Time Ranges	Time Adjustment Method
<b>Interval On Delay</b>	<b>TBL</b>	4 8-40 VDC	<b>VARIABLE TIME PERIODS</b>	<b>A</b> Variable integral, knob on timer <b>C</b> Fixed, internal, factory set
			<b>0001</b> 0.1 to 1 sec. <b>0010</b> 0.1 to 10 sec. <b>0100</b> 1 to 100 sec. <b>1000</b> 10 to 1000 sec. Any range up to 24 hours available on special order.	
			<b>FIXED TIME PERIODS</b>	
			Specify in seconds (S) or hours (H) Examples: 400S is 400 seconds 05H5 is 5.5 hours	

**EXAMPLE** TBL 4 0100 S C This is a "TB" series timer, Interval on Delay, 24 volt DC, 100 second fixed internal, factory-set time period.  
*Specifications subject to change without notice.*