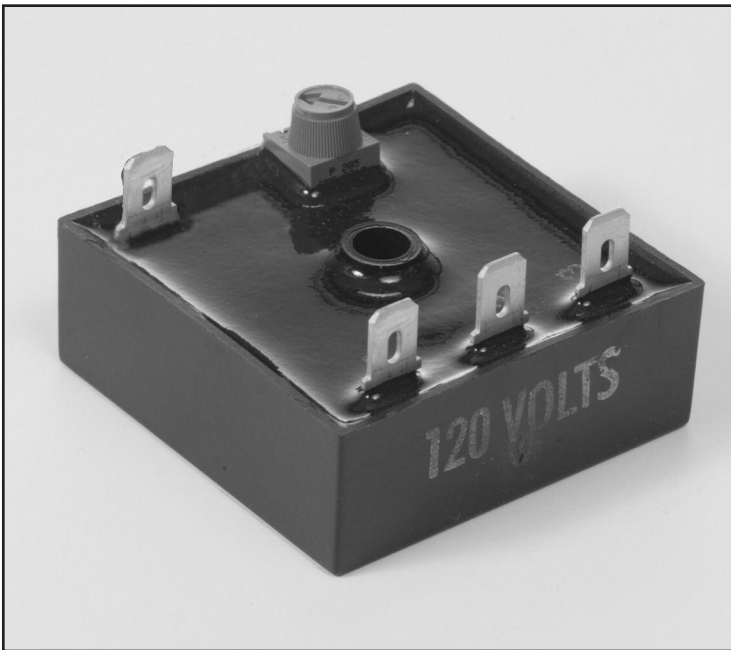


Timing Mode: **SINGLE SHOT ON MAKE**

Category: **SOLID STATE TIMER**

Series: **TH3PL**

CUBE SOLID STATE, 1AMP, HOT INITIATE SWITCH



TH3PL Timers

TH3PL are solid state output Single Shot timers in a fully encapsulated 2" x 2" case.

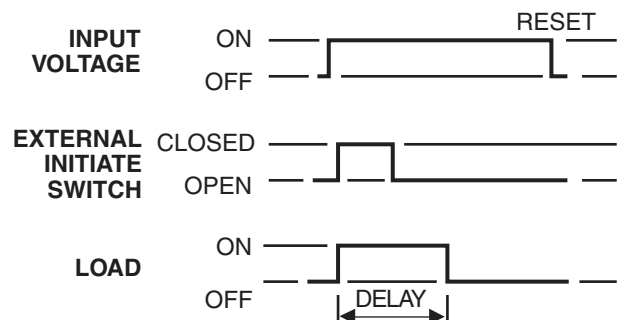
Available with factory-fixed time or adjustable via on-board potentiometer or external resistor.

Timing Mode

Power must be applied to the input voltage terminals continuously. Upon closure of a Normally Open (N.O.) external initiate switch, the load is instantaneously energized and the time delay cycle starts.

Maintained closure or actuation of the external initiate switch during the delay cycle will not affect the time delay period.

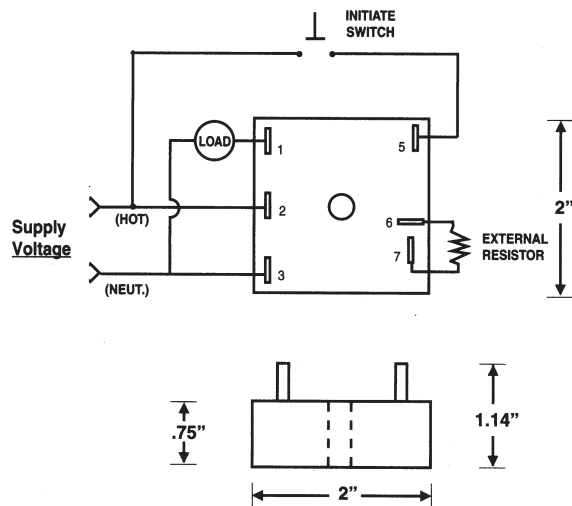
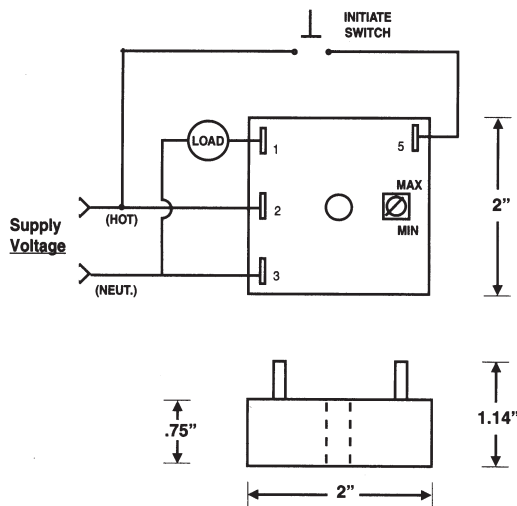
When the delay period expires, the timer will reset to its original position and the timer is ready for another cycle.



FEATURES

- Digital timing, solid state output
- 1 Amp current handling
- 10 Amps single AC cycle surge handling
- $\pm 0.1\%$ Repeat accuracy
- Factory-fixed or variable timing adjustment-
- Single screw mounting through center mounting hole
- Standard 6.5 mm (0.25") quick connect blade terminals
- 100% Operational testing before shipping
-  RoHS compliance available

BASIC WIRING AND DIMENSIONS



SPECIFICATIONS

Input Voltage: VAC: 24, 120

VAC: 230 VAC ($\pm 20\%$)

VDC: 12 or 24

Initiate: Switch line voltage

Timing Ranges: 0.1 second to 24 hours (1 sec., 10 sec., 100 sec., and 1000 sec. are standard)

Any time range available upon request

Repeatability: $\pm 0.1\%$ under fixed conditions

Reset/Recycle Time: 150 milliseconds maximum

Initiate Time: 16 milliseconds

Solid State Output Form:

Normally open 1 Amp steady state

10A single cycle surge

Life Expectancy:

No predictable failure if used within operating parameters.

Protection:

Transient Protection: 18 joules

Dielectric Strength: 1800 RMS 60Hz

Temperature Ranges:

Storage: -40°C to $+85^{\circ}\text{C}$

Operating: -25°C to $+65^{\circ}\text{C}$

Physical Data:

Surface mount with single #8 or #10 screw, totally encapsulated.

OPTIONS SELECTION

Mode of Operation	Series	Input Voltage	Examples of Time Ranges	Time Adjustment Method
Single Shot On Make	TH3PL	1 120 VAC 50/60 Hz	VARIABLE TIME PERIODS 0001 .1 to 1 sec. 0010 .1 to 10 sec. 0100 1 to 100 sec. 1000 10 to 1000 sec. Any range up to 72 hours available on special order. FIXED TIME PERIODS Specify time in full seconds (S) or hours (H) Examples: 400S is 400 sec. 05H5 is 5.5 hrs.	A Variable, integral, knob on timer
		2 230 VAC 50/60 Hz		B Variable, external, potentiometer supplied
		3 24 VAC 50/60 Hz		C Fixed, integral, factory set
		4 24 VDC		D External, remote resistor
		7 12 VDC		

Specifications subject to change without notice.