

Timing Mode: **SINGLE SHOT ON MAKE**  
 Category: **SOLID STATE TIMER**  
 Series: **TH3P**

**CUBE SOLID STATE, 1 AMP, DRY INITIATE SWITCH**



**TH3P Timers**

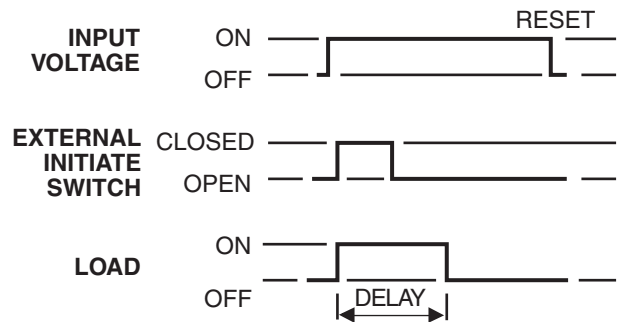
TH3P are solid state output Single Shot timers in a fully encapsulated 2" x 2" case. Available with factory-fixed time or adjustable via on-board potentiometer or external resistor.

**Timing Mode**

Power must be applied to the input voltage terminals continuously. Upon closure of a Normally Open (N.O.) external initiate switch, the load is instantaneously energized and the time delay cycle starts.

Maintained closure or actuation of the external initiate switch during the delay cycle will not affect the time delay period.

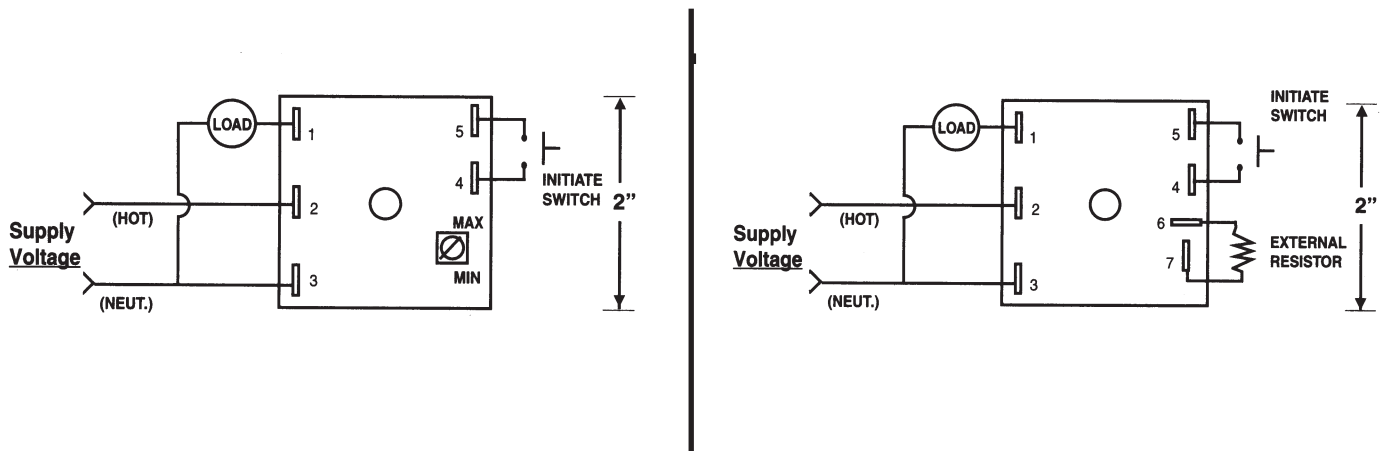
When the delay period expires, the timer will reset to its original position and the timer is ready for another cycle.



**FEATURES**

- Digital timing, solid state output
- 1 Amp current handling
- 10 Amps single AC cycle surge handling
- ±0.1% Repeat accuracy
- Factory-fixed or variable timing adjustment
- Single screw mounting through center mounting hole
- Standard 6.35 mm (0.25") quick connect blade terminals
- 100% Operational testing before shipping
-  RoHS compliance available

## BASIC WIRING AND DIMENSIONS



## SPECIFICATIONS

**Input Voltage:** VAC: 24, 120  
 VAC: 230 VAC ( $\pm 20\%$ )  
 VDC: 12 or 24

**Initiate:** Dry contact initiate

**Timing Ranges:** 0.1 second to 24 hours  
 (1 sec., 10 sec., 100 sec., and 1000 sec. are standard)  
 Any time range available upon request

**Repeatability:**  $\pm 0.1\%$  under fixed conditions

**Reset/Recycle Time:** 150 milliseconds maximum

**Initiate Time:** 16 milliseconds

**Solid State Output Form:**  
 Normally open 1 Amp steady state  
 10A single cycle surge

**Life Expectancy:**  
 No predictable failure if used within operating parameters

**Protection:**  
 Transient Protection: 18 joules  
 Dielectric Strength: 1800 RMS 60Hz

**Temperature Ranges:**  
 Storage:  $-40^{\circ}\text{C}$  to  $+85^{\circ}\text{C}$   
 Operating:  $-25^{\circ}\text{C}$  to  $+65^{\circ}\text{C}$

**Physical Data:**  
 Surface mount with single #8 or #10 screw, totally encapsulated

## OPTIONS SELECTION

| Mode of Operation          | Series      | Input Voltage                | Examples of Time Ranges  | Time Adjustment Method                              |
|----------------------------|-------------|------------------------------|--|---|
| <b>Single Shot On Make</b> | <b>TH3P</b> | <b>1</b> 120 VAC<br>50/60 Hz | <b>VARIABLE TIME PERIODS</b><br><b>0001</b> 0.1 to 1 sec.<br><b>0010</b> 0.1 to 10 sec.<br><b>0100</b> 1 to 100 sec.<br><b>1000</b> 10 to 1000 sec.<br>Any range up to 72 hours available on special order.<br><br><b>FIXED TIME PERIODS</b><br>Specify time in full seconds or hours followed by the letter "S" or "H" and the decimal amount of the main time unit.<br>Examples: 5S5 is 5.5 secs<br>5H5 is 5.5 hours | <b>A</b> Variable, integral, knob on timer          |
|                            |             | <b>2</b> 230 VAC<br>50/60 Hz |  | <b>B</b> Variable, external, potentiometer supplied |
|                            |             | <b>3</b> 24 VAC<br>50/60 Hz  |  | <b>C</b> Fixed, integral, factory set               |
|                            |             | <b>4</b> 24 VDC              |  | <b>D</b> External, remote resistor                  |
|                            |             | <b>7</b> 12 VDC              |  |   |

*Specifications subject to change without notice.*