

Timing Mode: **SINGLE SHOT ON BREAK**

Category: **TIMER WITH RELAY**

Series: **TGPSL**

## CUBE RELAY, 10 AMPS



### TGPSL Timers

TGPSL series Cube Relay Single Shot timers are a unique combination of digital CMOS timing circuitry with a relay output in a compact 2" x 2" configuration.

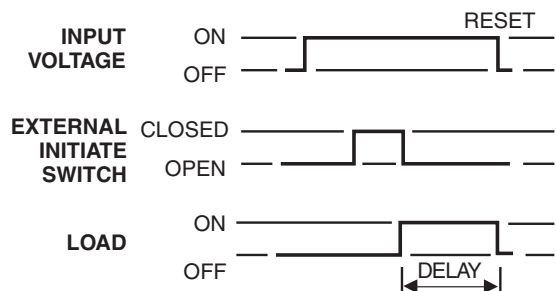
These units provide the same functional performance as plug-in relay timers, but at significant cost savings.

Key features: Uses a live or hot initiate switch; relay common is totally isolated.


### Timing Mode

Power must be applied to the input voltage terminals continuously. Upon closing and opening an external initiate switch, the load is instantaneously energized and the time delay cycle starts.

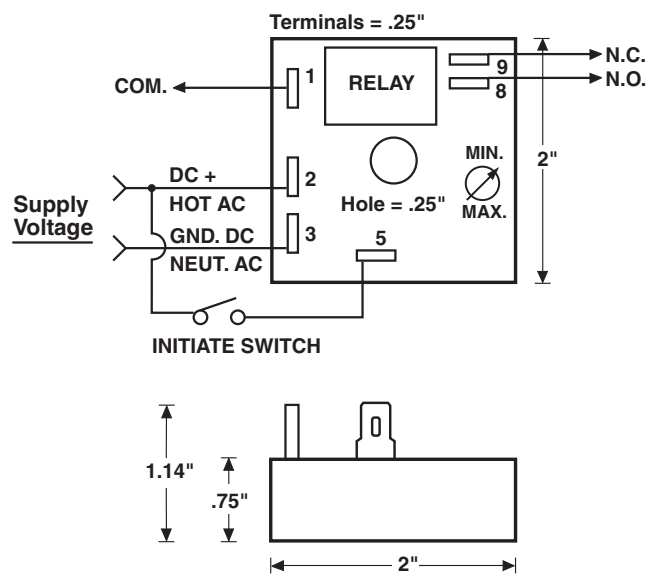
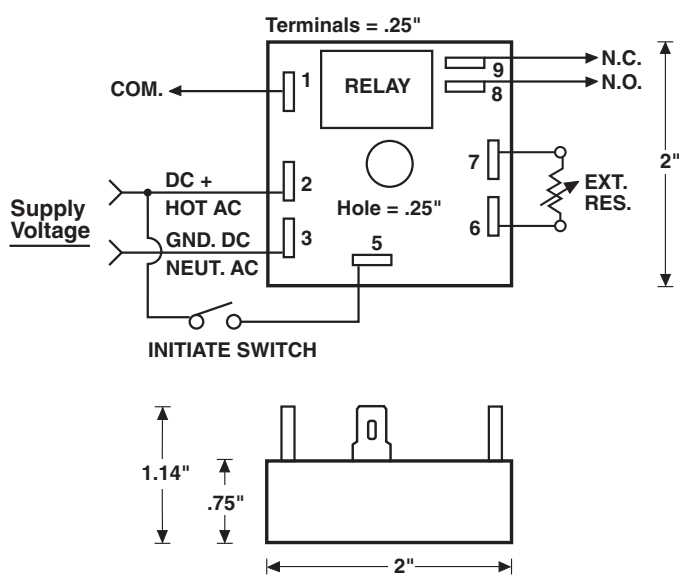
When the delay period expires, the timer will reset to its original position and the timer is ready for another cycle.



## FEATURES

- High current-carrying capacity up to 10 amps
- Transient protected
- 100% Load isolation
- No leakage in N.O. position
- No heat sinking required
- Available in any time delay period required
- Digital CMOS timing
- No minimum load required
- Totally encapsulated for protection from harsh environments
- 100% Operational testing before shipping
- 
- RoHS compliance available

## BASIC WIRING AND DIMENSIONS



## SPECIFICATIONS

### Input Voltage:

VDC: 12, 24-28 or 48  
 VAC: 24, 48, 120 or 230, 50/60Hz  
 Special AC or DC voltages available

### Time Delay:

Timing Mode: Single Shot on Break  
 Type: Digital CMOS  
 Time Range: 0.2 second to 24 hours  
 Time Adjustments: Factory-fixed time period;  
 variable, with adjustments on timer,  
 or terminals for external resistor  
 or potentiometer

### Repeatability: ±0.5%

### Setting Accuracy: Fixed time period: ±10% of nominal time.

Variable time range:  
 +15% -5% max. time, -10% min. time

### Reset/Recycle Time: 25 milliseconds

### Initiate Time: 6 milliseconds or less

### Relay Life Expectancy:

Mechanical: 20 million operations  
 Electrical: 100,000 operations

### Protection:

Polarity Protection: All DC units have  
 reverse polarity protection  
 Transient Protection: 18 joules  
 Dielectric Strength: 1800V RMS 60Hz

### Temperature Ranges:

Storage: -40°C to +85°C  
 Operating: -25°C to +65°C

### Physical Data:

Mounting: Surface with one #8 screw  
 Connection & Termination: 0.25" quick connects

## OPTIONS SELECTION

Mode of Operation	Series	Input Voltage	Examples of Time Ranges	Time Adjustment Method	Relay Output Form	Options
<b>Single Shot On Break</b>	<b>TGPSL</b>	1 120 VAC	<b>VARIABLE TIME PERIODS</b> 0001 0.2 to 1 sec. 0010 0.2 to 10 sec. 0100 2 to 100 sec. 1000 20 to 1000 sec. Any range up to 24 hours available.	<b>A</b> Variable, integral, knob on timer. <b>B</b> Variable, external knob remote. <b>C</b> Fixed, internal, factory set. <b>D</b> Fixed, external, resistor remote.	1 SPDT 2 SPST (N.O.) 3 SPST (N.C.)	<b>H</b> 10 Amps
		2 230 VAC				
		3 24 VAC				
		4 24-28 VDC				
		5 48 VAC				
		6 48 VDC				
		7 12 VDC				
		8 Any in between AC voltage (specify)				
		9 Any in between DC voltage (specify)				

Specifications subject to change without notice.