

Timing Mode: **REPEAT CYCLE**  
 Category: **TIMER WITH RELAY**  
 Series: **TGQB**

**CUBE RELAY, PERCENTAGE TIMER**



**TGQB Timers**

The TGQB is a recycle timer with a selectable cycle length and adjustable "On" time as a percentage of the total cycle from 1% to 99%.

Available relay ratings of 10 amps.

Relay common is internally connected to the input voltage terminal to minimize terminal count.

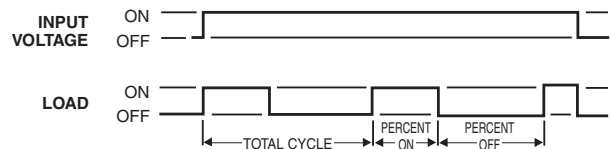
Adjustment potentiometer is separate from the module to allow for panel mounting.

**Timing Mode**


Application of input voltage to the timer transfers the relay for the duration of the selected "On" time.

Relay then opens for "Off" time.

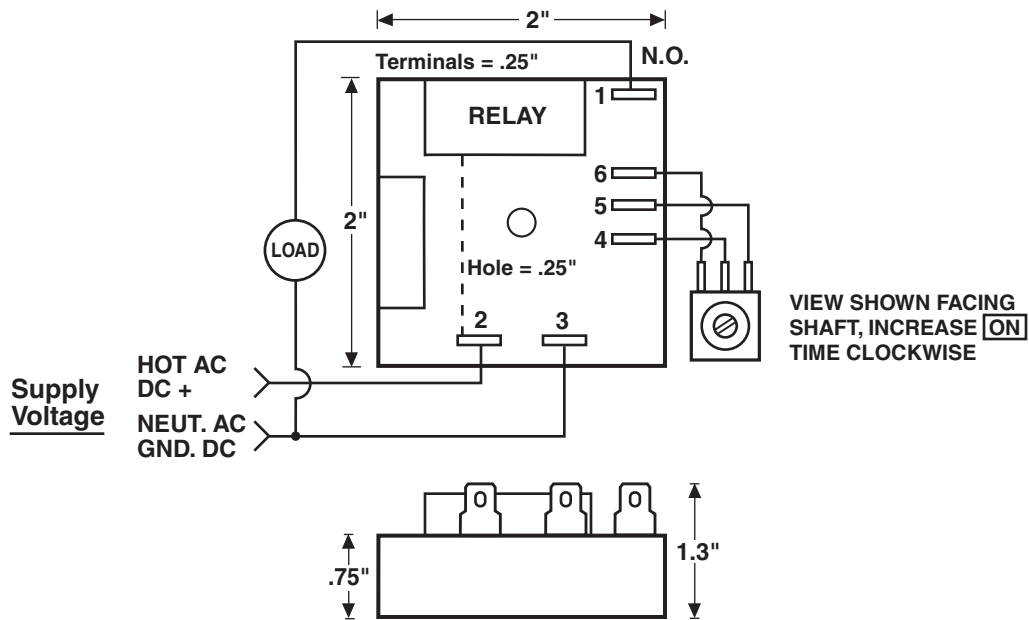
Recycling continues until power is removed.



**FEATURES**

- Total cycle length of up to 24 hours available
- Linear adjustability from 1% "On" to 99% "On"
- Single #8 screw mounting
- No leakage current in N.O. position
- Transient and polarity protected
- No heat sinking required
- No minimum load required
- Totally encapsulated for protection from harsh environments
- 0.5% Repeat accuracy
- Wide voltage 120/230 VAC input model available
- 100% Operational testing before shipping
-  RoHS compliance available

## BASIC WIRING AND DIMENSIONS



## SPECIFICATIONS

**Input Voltage:** +20% / -10%

VDC: 12 or 24  
 VAC: 24 or 120-230, 50/60Hz

**Time Delay:**

Timing Mode: Recycle, Percentage Setting  
 Type: Digital CMOS  
 Time Range: Full cycle 10 sec. to 24 hour

**Repeatability:** ±0.5%

**Reset Time:** 100 milliseconds

**Relay Life Expectancy:**

Mechanical: Up to 10 million operations  
 Electrical: 100,000 operations at max. load

**Protection:**

Polarity Protection: All DC units have reverse polarity protection  
 Transient Protection: 18 joules

**Temperature Ranges:**

Storage: -40° C to +85° C  
 Operating: -25° C to +65° C

## SELECTION PROCEDURE

Mode of Operation	Series	Input Voltage	Examples of Time Ranges	Time Adjustment Method	Relay Output Form	Options
<b>Repeat Cycle Percentage</b>	<b>TGQB</b>	1 120-230 VAC 3 24 VAC 4 24 VDC 7 12 VDC	0010 = 10 sec. 0100 = 100 sec. 1000 = 1000 sec. Any custom range up to 24 hours available.	<b>A</b> Variable, integral, potentiometer <b>B</b> Variable, external potentiometer	2 SPST	<b>H</b> 10 amps

*Specifications subject to change without notice.*