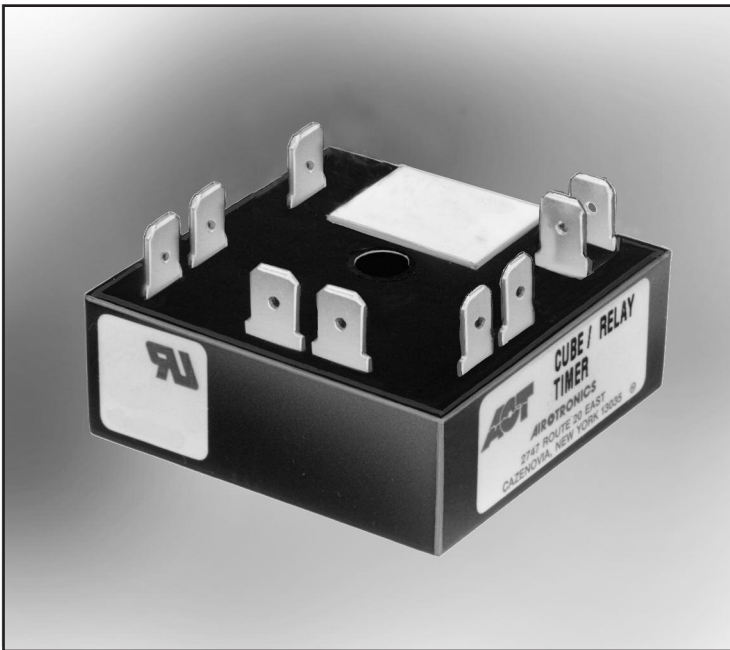


Timing Mode: **DELAY ON BREAK**  
 Category: **TIMER WITH RELAY**  
 Series: **TGMV**

**CUBE RELAY, CONTROL VOLTAGE INITIATE**



**TGMV Timers**

TGMV series Cube Relay Delay on Break timers are a unique combination of digital CMOS timing circuitry with a relay output in a compact 2" x 2" configuration. They are for use in applications where the control voltage is different to the input voltage.

These units provide the same functional performance as plug-in relay timers, but at significant cost savings.

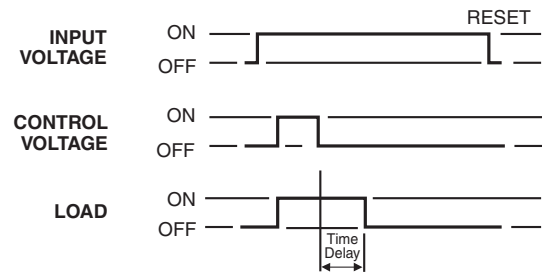
**Timing Mode**

Input voltage is applied continuously. Upon application of the control voltage, the load is energized, and remains energized as long as it is applied.


When the control voltage is removed, the time delay is started.

At the end of the time delay, the load is de-energized and the timer is ready for another cycle.

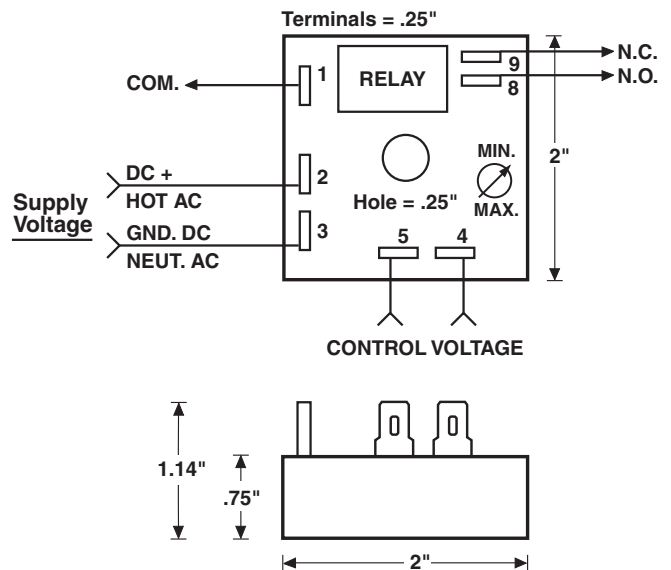
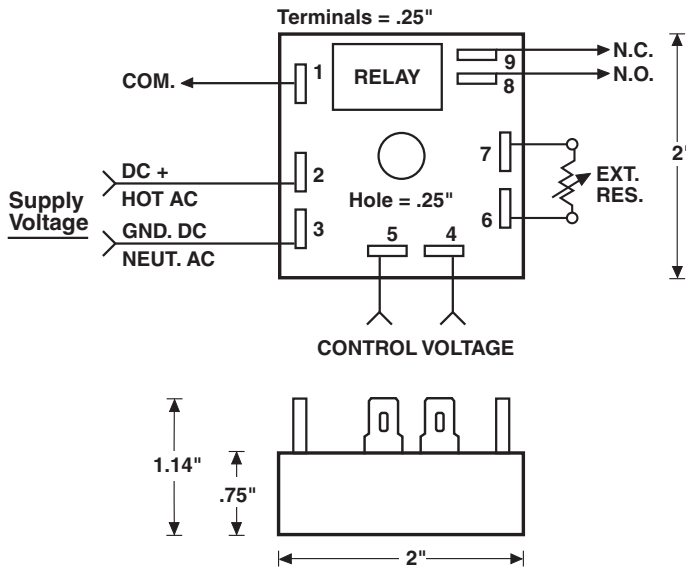
Control voltage and input voltage can be different.



**FEATURES**

- Current-carrying capacity up to 10 amps
- Transient protected
- 100% Control voltage isolation
- 100% Load isolation
- No leakage in N.O. position
- No heat sinking required
- Available in any time delay period required
- Digital CMOS timing
- No minimum load required
- Totally encapsulated for protection from harsh environments
- 100% Operational testing before shipping
- 
- RoHS compliance available

## BASIC WIRING AND DIMENSIONS



## SPECIFICATIONS

### Input Voltage:

VDC: 12, 24-28 or 48  
 VAC: 24, 48, 120 or 230, 50/60Hz  
 Special AC or DC voltages available

### Control Voltage: VAC: 24-120 inclusive

### Time Delay:

Timing Mode: Delay on Break  
 Type: Digital CMOS  
 Time Range: 0.2 second to 24 hours  
 Time Adjustments: Factory-fixed time period;  
 variable, with adjustments on timer, or  
 terminals for external resistor or  
 potentiometer

### Repeatability: ±0.5%

### Setting Accuracy: Fixed time period: ±10% of nominal time.

Variable time range:  
 +15% -5% max. time, -10% min. time

### Reset/Recycle Time: 25 milliseconds

### Initiate Time: 6 milliseconds or less

### Relay Life Expectancy:

Mechanical: 20 million operations  
 Electrical: 100,000 operations

### Protection:

Polarity Protection: All DC units have  
 reverse polarity protection  
 Transient Protection: 18 joules  
 Dielectric Strength: 1800V RMS 60Hz  
 Control Voltage Isolation: 2500V RMS 60Hz

### Temperature Ranges:

Storage: -40°C to +85°C  
 Operating: -25°C to +65°C

### Physical Data:

Mounting: Surface with one #8 screw  
 Connection & Termination: 0.25" quick connects

## OPTIONS SELECTION

Mode of Operation	Series	Input Voltage	Examples of Time Ranges	Time Adjustment Method	Relay Output Form	Options
Voltage-Controlled Delay On Break	TGMV	1 120 VAC	<b>VARIABLE TIME PERIODS</b> 0001 0.2 to 1 sec. 0010 .1 to 10 sec. 0100 1 to 100 sec. 1000 10 to 1000 sec. Any range up to 24 hours available. <b>FIXED TIME PERIODS</b> Specify time in full seconds or hours followed by the letter "S" or "H" and the decimal amount of the main time unit. Examples: 5S5 is 5.5 secs 5H5 is 5.5 hours	<b>A</b> Variable, integral, knob on timer. <b>B</b> Variable, external knob remote. <b>C</b> Fixed, internal, factory set. <b>D</b> Fixed, external, resistor remote.	1 SPDT 2 SPST (N.O.) 3 SPST (N.C.)	<b>H</b> 10 Amps
		2 230 VAC				
3 24 VAC						
4 24-28 VDC						
5 48 VAC						
6 48 VDC						
7 12 VDC						
8 Any in between AC voltage (specify)						
9 Any in between DC voltage (specify)						

*Specifications subject to change without notice.*