

Timing Mode: **DELAY ON MAKE**  
 Category: **TIMER WITH RELAY**  
 Series: **TQCIC**

**PLUG-IN RELAY TIMER, IC DIGITAL, INSTANTANEOUS CONTACT**



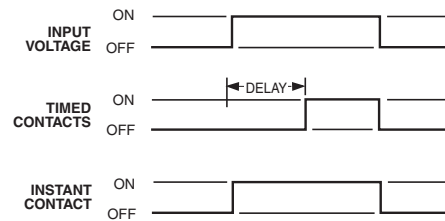
**TQCIC Timers**

The TQCIC Delay On Make meets the needs of customers who require IC digital timing circuits with magnal bases for plug-in installation. The units are available with a 10 amp DPDT timed relay with fixed or adjustable time periods, and a 10 amp SPDT relay with instantaneous contact.


**Timing Mode**

Application of input voltage to the timer starts the time delay. At the end of the delay period, the load is energized.

To reset, remove the input voltage to the timer.



**FEATURES**

- CMOS Integrated Circuit digital timing
- Timing contacts and instantaneous contacts in same timer
- Relays are sealed
- Proven circuitry
- Standard magnal (11 pin) plug-ins
- Fixed or variable time adjustment
- Optional remote time adjustment
- Timing ranges from 0.1 to 3600 seconds standard (special time settings and ranges up to 72 hours also available)
- 0.1% Repeat accuracy
- 100% Operational testing before shipping
- 

**SPECIFICATIONS**

**Input Voltages:** VAC: 24, 120, 230, 50/60Hz  
 VDC: 24

**Operating Voltage:** ±20% of nameplate voltage

**Relay Contact Ratings:** 10 amp

**Repeat Accuracy:** ±0.1% under fixed operating conditions

**Reset Time:** 50 milliseconds

**Tolerances:** Fixed: ±10%, Optional: ±5%, ±1%  
 Variable: +20%, -0%, Optional: +10%, -0%

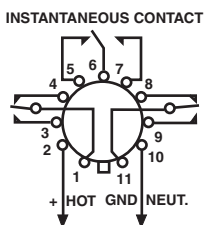
**Life Expectancy:**  
*Mechanical:* 1 million operations  
*Electrical:* Up to 100,000 operations at full current load

**Protection:**  
*Polarity Protection:* All DC units have reverse polarity protection  
*Transient Protection:* 25 joules

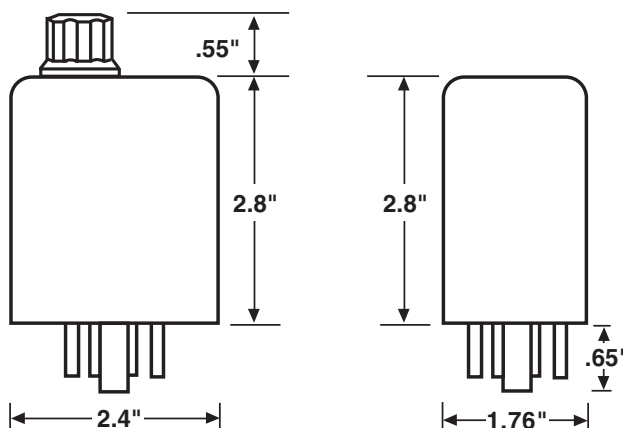
**Temperature Ranges:**  
*Storage:* -40°C to +85°C  
*Operating:* -25°C to +65°C

**Housing Material:** High-impact, UL-approved black Lexan

## BASIC WIRING AND DIMENSIONS



### OPTIONAL KNOB



### 11 PIN PLUG-IN BASE

## OPTIONS SELECTION

| Mode of Operation                                | Series       | Input Voltage | Examples of Time Ranges   | Tolerance   | Time Adjust. Method  | Base Style  |                       |
|--|--------------|---------------|---|---|--|---|-----------------------|
| <b>Delay On Make<br/>(Instantaneous Contact)</b> | <b>TQCIC</b> | 1 120 VAC     | <b>VARIABLE TIME PERIODS</b>  |   | <b>X</b> Standard (Fixed: ±10% Variable: +20% -0%)<br><b>E</b> Optional (Fixed, ±5%)<br><b>F</b> Optional (Fixed, ±1%)<br><b>G</b> Optional (Adjust.: +10%, -0%) | <b>A</b> Variable knob on timer<br><b>B</b> Variable with external potentiometer AOT supplied<br><b>C</b> Factory-fixed time<br><b>D</b> Fixed time with customer supplied resistor | 2 11 Pin Plug-In Base |
|  |              | 2 230 VAC     | 0010 .1 to 10 sec.  | Any range up to 72 hours available on special order.<br><b>FIXED TIME PERIODS</b><br>Specify time in full seconds or hours followed by the letter "S" or "H" and the decimal amount of the main time unit.<br>Examples: 5S5 is 5.5 secs<br>5H5 is 5.5 hours |  |   |                       |
|  |              | 3 24 VAC      | 0100 1 to 100 sec.  |   |  |   |                       |
|  |              | 4 24 VDC      | 0300 5 to 300 sec.<br>0600 60 to 600 sec.<br>1800 180 to 1800 sec.<br>3600 360 to 3600 sec. |   |  |   |                       |

**EXAMPLE** TQCIC 3 0010 X A 2 H This is a "TQCIC" series timer, Delay on Make with instantaneous contact, 24 volt AC, 10 second variable time period (standard tolerance), with adjustment knob on timer, 11 pin magnal base, 10 amp relay.

*Specifications subject to change without notice.*