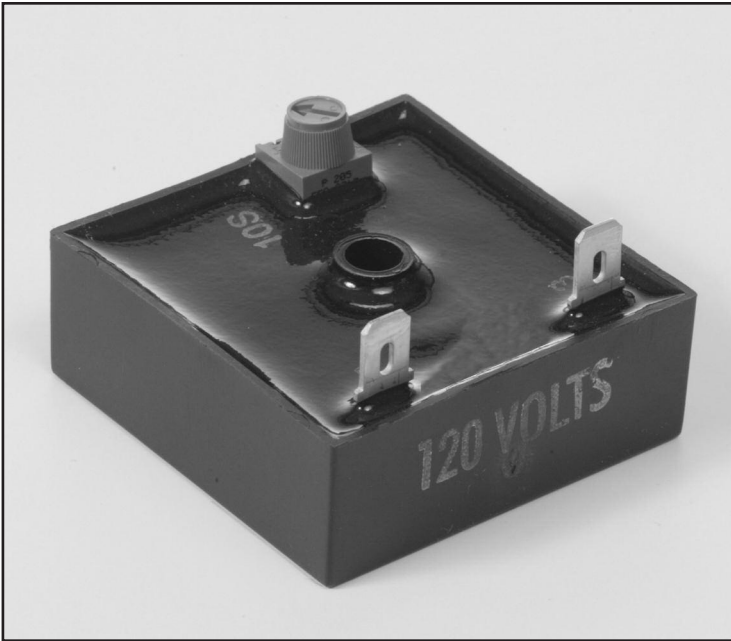


Timing Mode: **DELAY ON MAKE**
 Category: **SOLID STATE TIMER**
 Series: **THCU-A**

CUBE SOLID STATE, UNIVERSAL AC/DC WIDE VOLTAGE



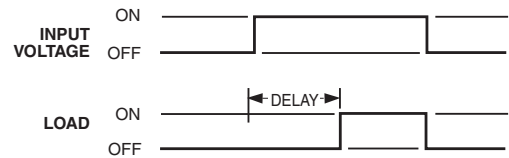
THCU-A Timer

THCU-A is a universal AC/DC voltage solid state timer in a compact 2" x 2" configuration. This unit features wide operating voltages: 19 to 265 VAC and 10 to 120 VDC.


Advanced digital circuitry provides this timing module with unsurpassed accuracy and reliability.

Timing Mode

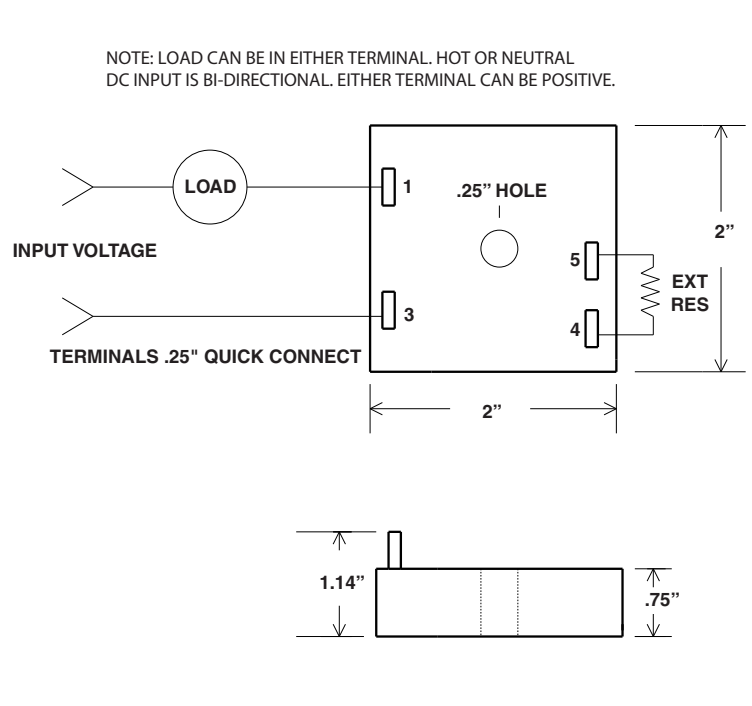
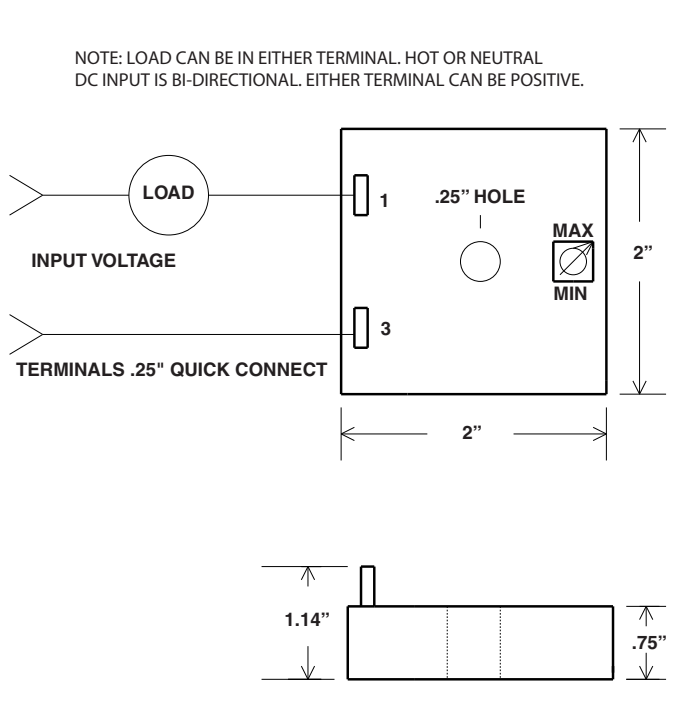
Application of input voltage to the timer starts the time delay.
 At the end of the delay period, the load is energized.
 To reset, remove the input voltage to the timer.



FEATURES

- Wide and universal operating voltage in a single unit: operates from 19-265 VAC and 10-120 VDC
- Operates at 50/60Hz
- DC polarity independent
- Resistor or potentiometer adjust
- Digital timing accuracy
- Time setting accuracy of $\pm 5\%$ of set point
- Repeatability of $\pm 0.1\%$
- Extremely low off-state leakage current
- Fixed time periods available
- Eliminates contactor "hum"
- Compact, easy to hook up, in-line installation
- Vertical mounting option available with MB-1 Bracket
- Totally encapsulated for protection from harsh environments
- 100% Operational testing before shipping
-  RoHS compliance available

DIMENSIONS AND TIME RANGE SELECTION



SPECIFICATIONS

Repeat Accuracy: $\pm 0.1\%$ under fixed conditions

Timing Range: 6-480 seconds, factory-fixed

Reset Time: 25 milliseconds after timing cycle
200 milliseconds during timing cycle

Timing Tolerance:
 $\pm 10\%$ max $\pm 5\%$ typical

Operating Voltage:
19-265 VAC/10-120 VDC
50/60Hz

Mode of Operation: Delay on Make

Storage Temperature: -40°C to $+85^{\circ}\text{C}$

Operating Temperature: -25°C to $+65^{\circ}\text{C}$

Transient Protection: 18 joules varistor

Voltage Drop in "On" State:
4 volts max / 3 volts nominal @ 1 amp peak

Output Leakage Current in "Off" State:
6.4 mA @ 265 VAC
3.3 mA @ 120 VAC
1.6 mA @ 48 VAC
1.0 mA @ 24 VAC

Switching Current:
1 Amp steady state max.
10 mA min.
10 Amps inrush

OPTIONS SELECTION

Mode of Operation	Series	Input Voltage	Time Ranges	Time Adjustment Method
Delay On Make	THC Standard Size (2" x 2")	U 19-265 VAC 10-120 VDC	VARIABLE TIME PERIODS	A Variable, integral knob on timer C Fixed, internal factory set D Fixed, external resistor
			480 = 6 to 480 seconds For fixed times, specify time period (example: 100S = 100 seconds)	

EXAMPLE THC U 480 A

Specifications subject to change without notice.