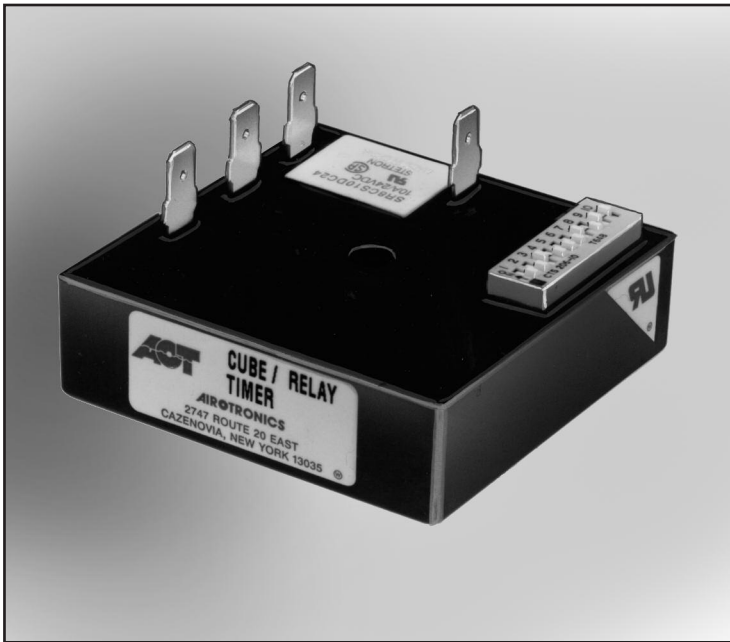


Timing Mode: **DELAY ON MAKE**  
 Category: **TIMER WITH RELAY**  
 Series: **TGC-E**

## CUBE RELAY, DIPSWITCH ADJUSTMENT



### TGC-E Timers

TGC-E timers with dipswitch adjustment offer precise timing accuracy in a compact 2.5" x 2.5" encapsulated configuration.

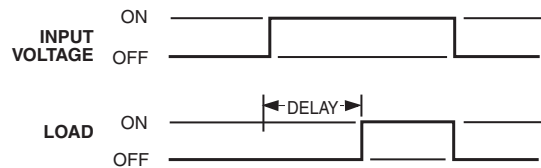
Three time ranges are available: 0.1 to 102.3 seconds, 1 to 1023 seconds and 10 to 10230 seconds.

The encapsulated relay is capable of switching up to 20 amps (70 amps inrush), 1.5 HP.


Advanced circuitry provides this timing module with unsurpassed accuracy and reliability.

### Timing Mode

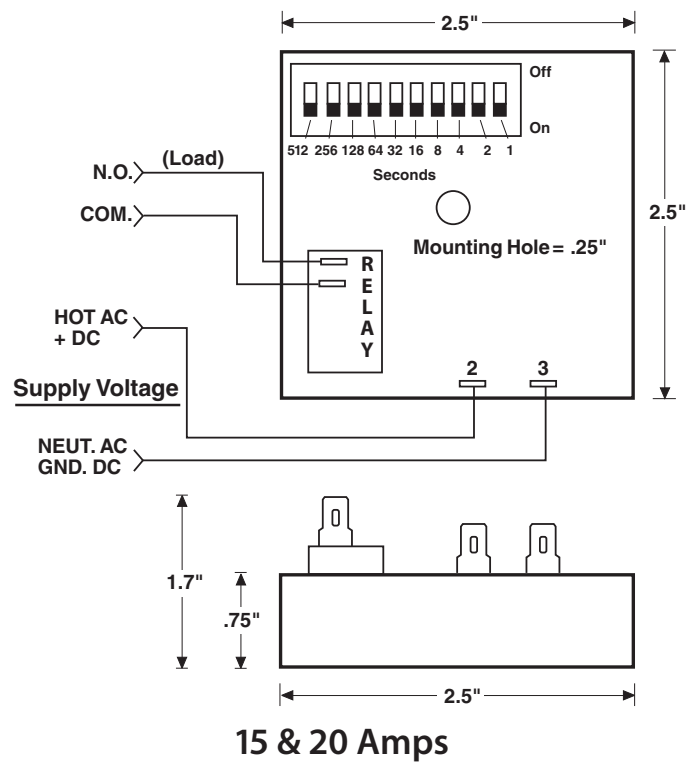
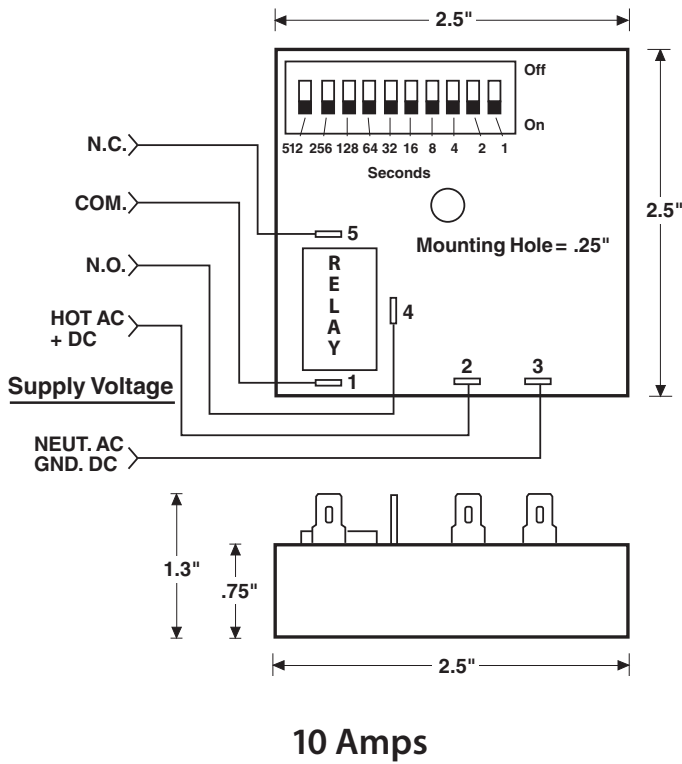
Application of input voltage to the timer starts the time delay.  
 At the end of the delay period, the load is energized.  
 To reset, remove the input voltage to the timer.



## FEATURES

- Precise timing accuracy in three ranges:  
 0.10 to 102.3 seconds in 0.1-second increments  
 1 to 1023 seconds in 1-second increments  
 10 to 10230 seconds in 10-second increments
- Easy to program with 10-position binary dipswitch
- Easy to install with one #8 screw, 1/4" quick connects
- Timer and contactor in one unit minimizes wiring
- No leakage in N.O. position
- No heat sinking required
- 100% Load isolation
- Transient and polarity protected
- No minimum load required
- Totally encapsulated for protection from harsh environments
- 0.5% Repeat accuracy
- 100% Operational testing before shipping
- 
- RoHS compliance available

## BASIC WIRING AND DIMENSIONS



## SPECIFICATIONS

**Input Voltage:** +20% / -10%

VDC: 12 or 24

VAC: 24, 120, 230, 50/60Hz

**Time Delay:**

*Timing Mode:* Delay on Make

*Type:* Digital CMOS

*Time Range:* 0.1 to 102.3 seconds

1.0 to 1023 seconds

10 to 10230 seconds

**Repeatability:** ±0.5%

**Setting Accuracy:** ±5% or 50 milliseconds, whichever is greater

**Reset Time:** 50 milliseconds

**Relay Life Expectancy:**

*Mechanical:* Up to 10 million operations

*Electrical:* 100,000 operations at max. load

**Protection:**

*Polarity Protection:* All DC units have reverse polarity protection

*Transient Protection:* 18 joules

*Dielectric Strength:* 1800V RMS 60Hz

**Temperature Ranges:**

*Storage:* -40°C to +85°C

*Operating:* -25°C to +65°C

**Time Adjustment:**

To set a time period, simply add up the switches in the on position for the total delay in seconds

## OPTIONS SELECTION

Mode of Operation	Series	Input Voltage	Time Ranges	Time Adjustment Method	Relay Output Form	Options		
<b>Delay On Make</b>	<b>TGC</b>	1 120 VAC	<b>102S3</b> 0.1 to 102.3 seconds	<b>E</b> Dipswitch	<b>*1</b> SPDT	<b>H</b> 10 Amps		
		2 230 VAC					<b>1023</b> 1 to 1023 seconds	
		3 24 VAC	<b>*2</b> SPST (N.O.)					<b>JN</b> 15 Amps (1.0 HP)
		4 24 VDC						
		7 12 VDC	<b>*10 Amps only</b>					

*Specifications subject to change without notice.*