

Timing Mode: **DELAY ON MAKE**  
Category: **SOLID STATE TIMER**  
Series: **TBC**

## MINIATURE CUBE SOLID STATE, DC VOLTAGE



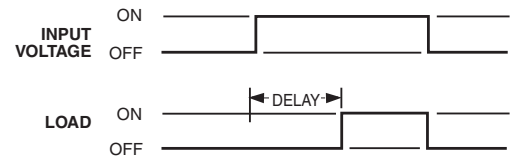
### TBC Miniature Timers

TBC timers are solid state output units with digital timing and come in a 1<sup>5</sup>/<sub>8</sub>" square case.

Ease of installation and hook-up is a primary design benefit. All models are available with integral time adjustment knob or factory-fixed time, and require only three connections.

### Timing Mode

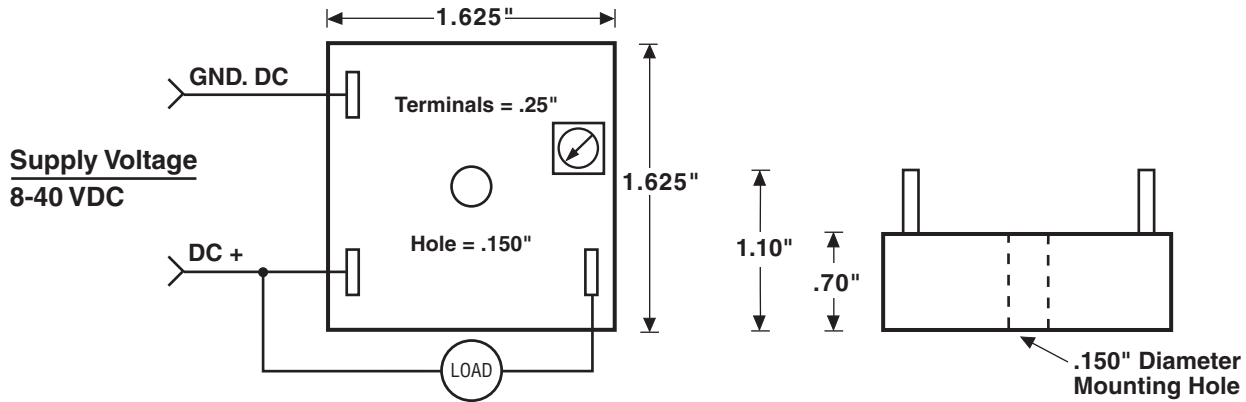
Application of input voltage to the timer starts the time delay.  
At the end of the delay period, the load is energized.  
To reset, remove the input voltage to the timer.



## FEATURES

- Digital timing, solid state MOSFET output
- 1 Amp current load handling
- 10 Amps 100 ms (millisecond) surge handling
- Higher current available
- Wide DC voltage range
- ± 0.1% Repeat accuracy
- Virtually unlimited time ranges
- Factory-fixed or variable-timing adjustment
- Totally encapsulated for protection from harsh environments
- O-ring sealed exposed controls
- Single screw mounting through center mounting hole
- Standard 6.35mm (0.25") quick connect blade terminals
- 100% Operational testing before shipping
- RoHS compliance available

## BASIC WIRING AND DIMENSIONS



## SPECIFICATIONS

**Repeat Accuracy:**  $\pm 0.1\%$  under fixed conditions

**Timing Ranges:** 0.05 sec. to 24 hours (1 sec., 10 sec., 100 sec., and 1000 secs. are standard.)  
*Special time ranges available upon request*

**Reset/Recycle Time:** 100 milliseconds

**Tolerances:** *Fixed:*  $\pm 10\%$  of nominal time  
*(optional:  $\pm 5\%$ ,  $\pm 1\%$ )*  
*Variable:* -0%, +15%  
*Limit:* -10% at minimum time

**Recycle Effect:** None

**Temperature Ranges:**  
*Storage:* -40°C to +85°C  
*Operating:* -25°C to +65°C

**Life Expectancy:**  
 No predictable failure if used within operating parameters

**Protection:**  
*Polarity Protection:* All DC units have reverse polarity protection  
*Transient Protection:* 18 joules  
*Dielectric Strength:* 1800V RMS 60Hz

**Power Requirement:** 0.25 watts max.

**Weight:** 3 oz. (85g) maximum

**Solid State Output:** SPST (N.O.)

**Load Current:** 1 amp continuous, 10 amps  
 100 ms surge  
*Higher current available*

**Time Cycle Interrupt:** Resets timer to original state  
**(Input Voltage Break)**

## OPTIONS SELECTION

Mode of Operation	Series	Input Voltage	Examples of Time Ranges	Time Adjustment Method	Options
<b>Delay On Make</b>	<b>TBC</b>	<b>4</b> 8-40 VDC	<b>VARIABLE TIME PERIODS</b>	<b>A</b> Variable integral, knob on timer <b>C</b> Fixed, internal, factory set	<b>W</b> Wires <b>S</b> Special
			<b>0001</b> .05 to 1 sec. <b>0010</b> .1 to 10 sec. <b>0100</b> 1 to 100 sec. <b>1000</b> 10 to 1000 sec. Any range up to 24 hours available.		
			<b>FIXED TIME PERIODS</b>		
			Specify in seconds (S) or hours (H) Examples: 400S is 400 seconds 05H5 is 5.5 hours		

**EXAMPLE** TBC 4 0100 S C This is a "TB" series timer, Delay On Make, 24 volt DC, 100 second fixed internal, factory-set time period.  
*Specifications subject to change without notice.*