

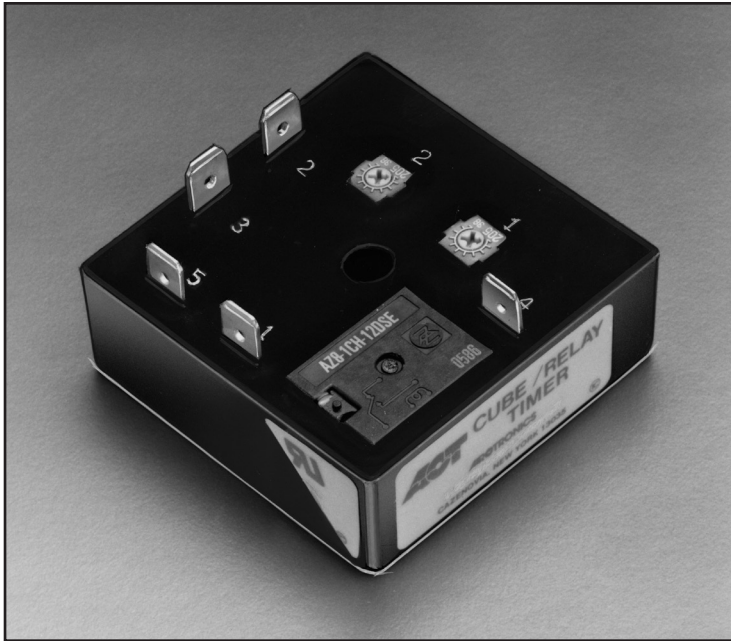
Timing Mode: **REPEAT CYCLE, OFF/ON**

Category: **TIMER WITH RELAY**

Series: **TGKD**



CUBE RELAY, 10-20 AMPS, DUAL ADJUSTABLE PELCO COMPONENT TECHNOLOGIES • 855 227 3526



TGKD Timers

TGKD series Cube Relay Repeat Cycle (Dual Adjustable) Off/On timers are a unique combination of solid state timing circuitry with a relay output in a compact cube configuration.

The time delay for both the "Off" cycle and the "On" cycle can be individually adjusted.

These timers offer the many advantages of a relay output and provide the same functional performance as plug-in relay timers, but at a significant cost savings.

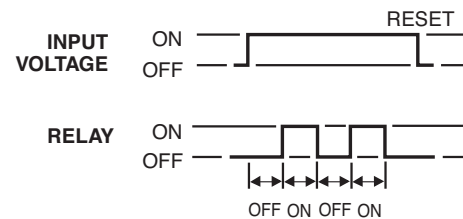
Timing Mode

Application of input voltage to the timer starts the "Off" time delay.

At the end of the "Off" time delay, the "On" time delay starts, and the relay is energized.

At the end of "On" time delay, the relay is de-energized, the timer returns to the "Off" time delay, and cycling continues as long as input voltage is applied.

Removal of the input voltage resets the timer.



FEATURES

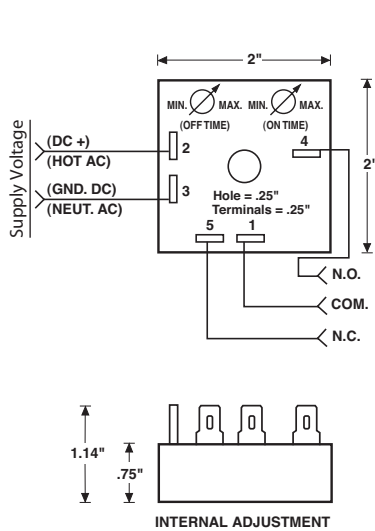
- High current-carrying capacity up to 20 amps
- 100% Load isolation
- No leakage in N.O. position
- No heat sinking required
- Available in any time delay periods required
- Digital CMOS timing

- Transient protected
- No minimum load required
- Totally encapsulated for protection from harsh environments
- 100% Operational testing before shipping

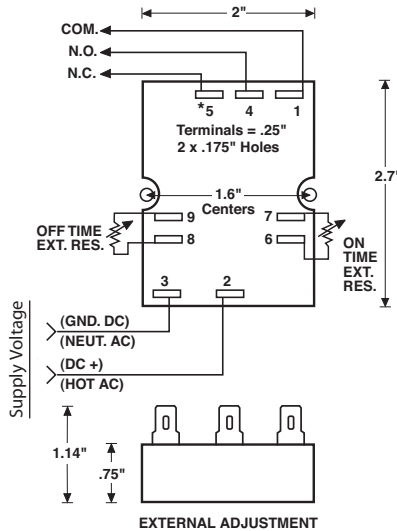


- RoHS compliant

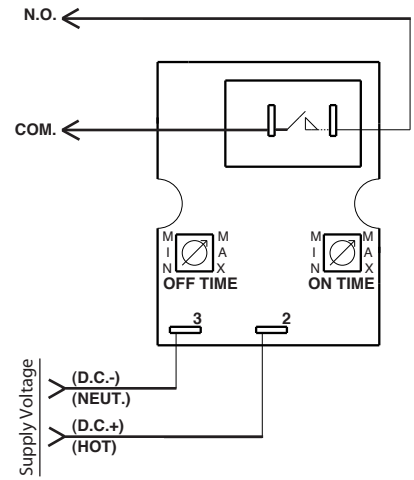
BASIC WIRING AND DIMENSIONS



10 Amps



10 Amps



15 & 20 Amps

SPECIFICATIONS

Input Voltage: VDC: 12, 24-28, or 48
 VAC: 24, 48, 120, or 230, 50/60Hz
Optional: Any in-between AC or DC voltage

Time Delay:
Timing Mode: Repeat Cycle Off/On
Type: Digital CMOS
Time Range: 0.1 second to 24 hours
Time Adjustment: Variable, with adjustments on timer, or terminals for external resistors or potentiometers

Repeatability: ±0.5%

Setting Accuracy: *Variable time ranges:*
 +15% -5% max. time, -10% min. time
Fixed time periods:
 ±10% of nominal time

Reset/Recycle Time: 250 milliseconds

Initiate Time: 6 milliseconds or less

Life Expectancy:
Mechanical: 20 million operations
Electrical: 100,000 operations at maximum load

Protection:
Polarity Protection: All DC units have reverse polarity protection
Transient Protection: 18 joules
Dielectric Strength: 1800V RMS 60Hz

Temperature Ranges:
Storage: -40°C to +85°C
Operating: -25°C to +65°C

Physical Data:
Mounting: Surface with one #8 screw or two #6 screws
Connection & Termination: 0.25" quick connects

072816

OPTIONS SELECTION

Mode of Operation	Series	Input Voltage	Examples of Time Ranges	Time Adjustment Method	Relay Output Form	Options
Repeat-Cycle Off/On (Dual Adjustable)	TGKD	1 120 VAC	VARIABLE TIME PERIODS 0001 .1 to 1 sec. 0010 .1 to 10 sec. 0100 1 to 100 sec. 1000 10 to 1000 sec. Any range up to 24 hours available.	A Variable, integral, adjustments on timer. B Variable, external, knobs remote. C Fixed, internal, time. D External resistors.	1 SPDT 2 SPST (N.O.) 3 SPST (N.C.) *4 DPDT *10 Amps only	H 10 Amps JN 15 Amps (1.0 HP) J 20 Amps (1.5 HP)
		2 230 VAC				
		3 24 VAC				
		4 24-28 VDC	FIXED TIME PERIODS Specify time in full seconds or hours followed by the letter "S" or "H" and the decimal amount of the main time unit. Examples: 5S5 is 5.5 secs 5H5 is 5.5 hours			
		5 48 VAC				
		6 48 VDC				
		7 12 VDC				
		8 Any in between AC voltage (specify)				
		9 Any in between DC voltage (specify)				

EXAMPLE TGKD 1 010 AA 1 H 120 VAC, 10 seconds off / 10 seconds on, both adjustable, SPDT, 10 amps

Specifications subject to change without notice.