

Timing Mode: **SINGLE SHOT ON MAKE**
 Category: **TIMER SOLID STATE, 10 AMPS**
 Series: **TH3XPL** Hot Initiate Switch

SOLID STATE TIMER, HIGH POWER



"Hot" Initiate with Integral Pot shown.

TH3XPL Timers

TH3XPL series solid state timers deliver reliable performance in high power applications, with a heat sink that spans the entire base of the unit.

TH3XPL timers provide Single Shot on Make function and offer four time setting options: adjustable via integral or external pot, factory fixed internal, or fixed via external resistor.



Full base heat sink

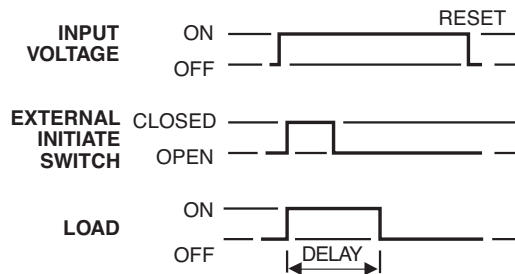
Set variable time periods from 0.1 second up to 1000 seconds, for any range up to 24 hours. Specify fixed time periods in full seconds or hours.

Single Shot on Make

Power must be applied to the input voltage terminals continuously. Upon closure of a Normally Open (N.O.) external initiate switch, the load is instantaneously energized and the time delay cycle starts.

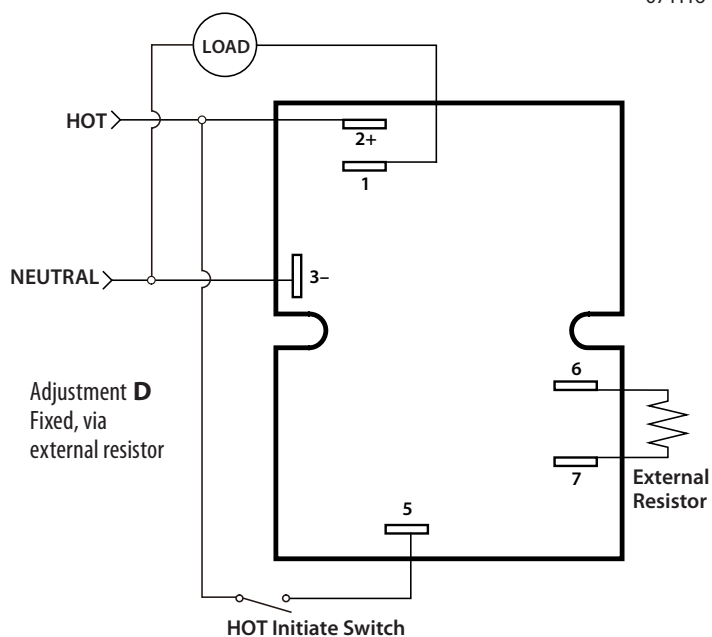
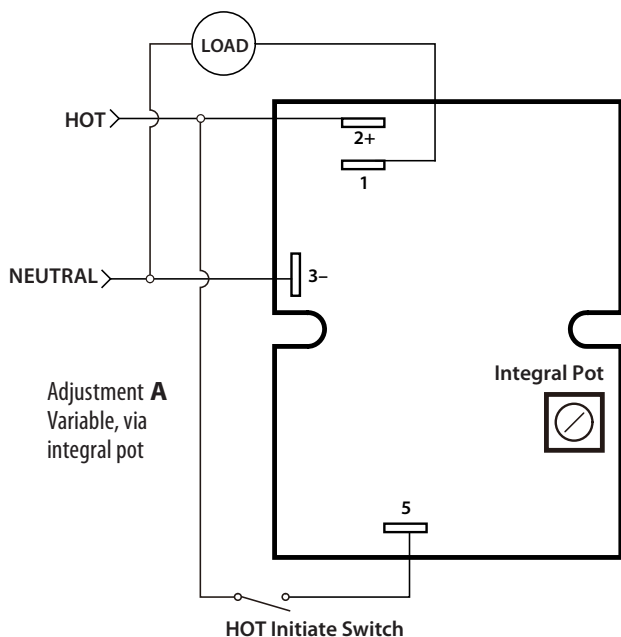
Maintained closure or actuation of the external initiate switch during the delay cycle will not affect the time delay period.

When the delay period expires, the timer will reset to its original position and the timer is ready for another cycle.



FEATURES

- Digital timing, solid state output
- 10 Amp continuous current handling
- 60 Amp AC single-cycle surge handling
- Factory fixed, variable or external timing adjustment
- ±0.1% Repeat accuracy
- Surface mount with two #8 or #10 screws
- Standard .25" QC terminals
- Totally encapsulated for protection from harsh environments
- 100% operational testing
-  RoHS compliant



SPECIFICATIONS

Input Voltage: 24, 120 or 230VAC±20%; , 50 / 60Hz,
Time delay: Adjustable from 0.1 second to 24 hours
 1 sec., 10 sec., 100 sec., 1000 sec are standard
Special ranges available on request
Repeatability: ±0.5% under fixed conditions
Time delay accuracy: ±10% typical
Reset / Recycle Time: 150 milliseconds maximum
Initiate Time: 16 milliseconds
Solid State Output Form: 10 Amps steady state,
 60 Amps inrush, 100 milliAmps minimum load

Life Expectancy No predictable failure if used within operating parameters
Protection: *Transient Protection:* 18 joules (MOV)
Dielectric Strength: 1800VAC RMS
Temperature Ranges: *Storage:* -40°C to +85°C
Operating: -25°C to +65°C
Physical Data: 2" x 2.7" case with heat sink,
 Surface mount with two #8 or #10 screws,
 0.25" QC terminals for input and output

OPTIONS SELECTION

Mode of Operation	Series	Input Voltage	Examples of Time Ranges	Time Adjustment Method	Options
Single Shot on Make "HOT" Initiate	TH3XPL 10 Amps	1 120VAC 50/60 Hz 2 230VAC 50/60 Hz 3 24VAC 50/60 Hz	VARIABLE TIME PERIODS 0001 0.1 to 1 sec. 0010 0.1 to 10 sec. 0100 1 to 100 sec. 1000 10 to 1000 sec. Any range up to 24 hours is available	A Variable, via integral pot B Variable, via external pot C Fixed, internal, factory set D Fixed, via external resistor	S Special
			FIXED TIME PERIODS Specify time in full seconds (S) or hours (H) Examples 400S is 400 seconds 05H5 is 5.5 hours		